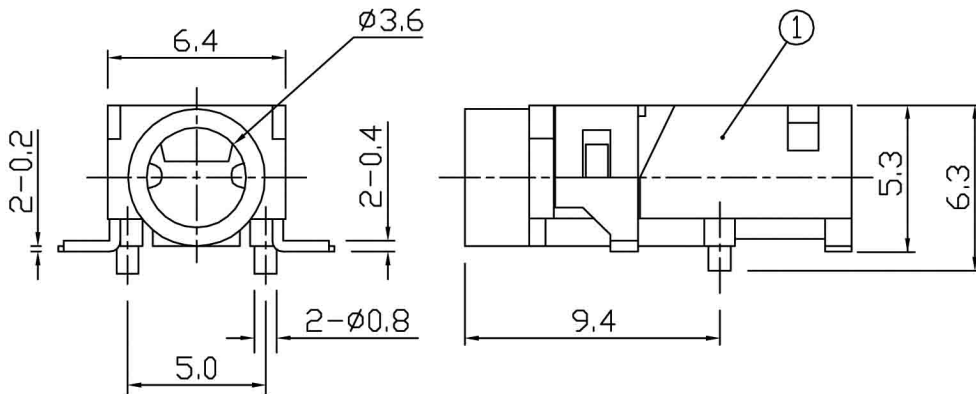
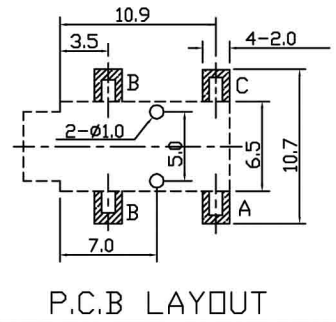
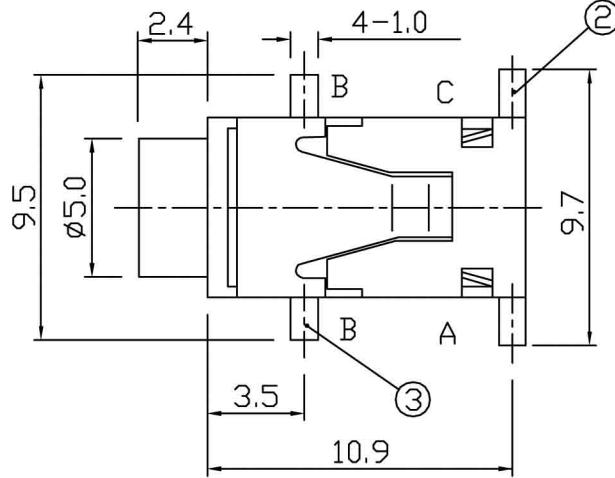
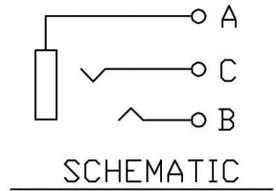


RoHS Compliance



3	TERMINAL	BRASS	1	Ag PLATED					
1	FRAME	P Q M	1		2	TERMINAL	P B S	2	Ag PLATED
NO	PART	MATERIAL	QTY	REMARKS	NO	PART	MATERIAL	QTY	REMARKS

ISSUED	SPECIFICATION				TITLE: 3.5mm SMD STEREO JACK				
	RATING: DC 30V 0.3A				MODEL NO: SCJ-3513-SMT-A				
	CONTACT RESISTANCE: 50mΩ max.				UNIT: MM	DWN	白竟成		
	INSULATION RESISTANCE: 100MΩ AT 500V DC				SCALE: 4:1	CHK'D	汪志勇		
	WITHSTAND VOLTAGE: AC 500V for 1 minute				TOLERANCE: ±0.2	APP'D.	万运和		
	OPERATION FORCE: REFER ATTACH SPECIFICATION								
	SWITCHING LIFE: 5K cycles min.								

BY: 万运和
DATE: 30-NOV-2006



DRWG NO:
VERSION: 2.0