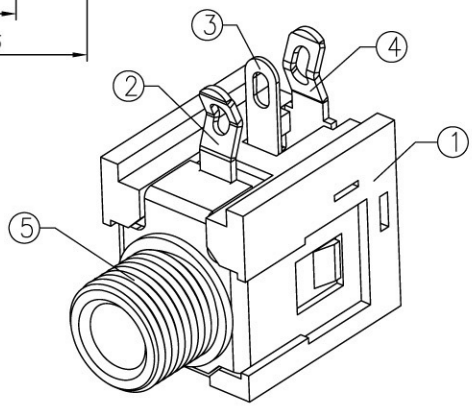
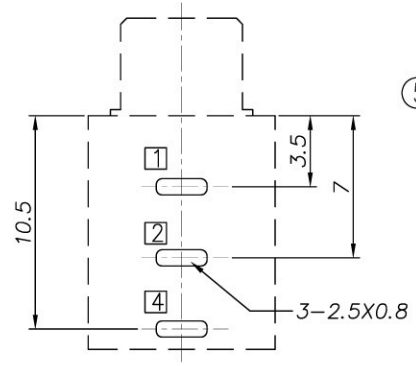
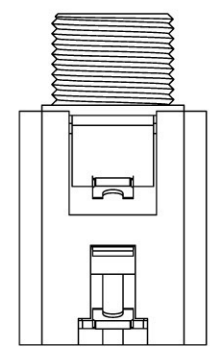
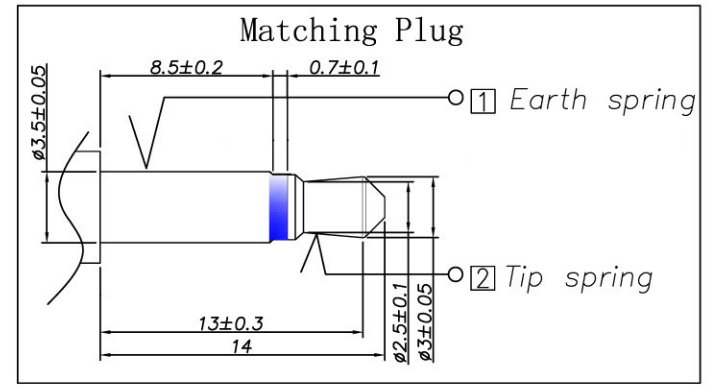
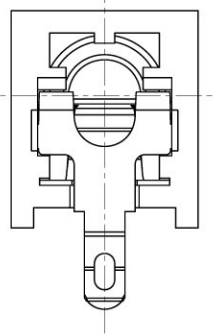
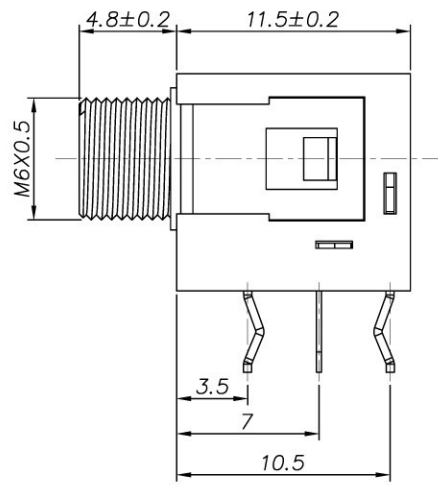
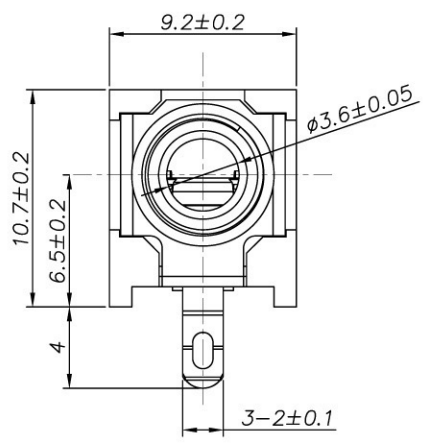
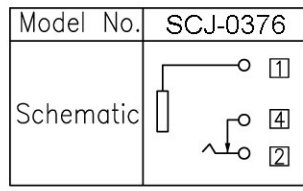


REV. LTR.	DESCRIPTION	SIGN	DATE



P. C. B Layout (Top view)

**SPECIFICATION**  
 1.Rating : DC 30V 0.5A;  
 2.Contact resistance: ≤30mΩ;  
 3.Insulation resistance: ≥100MΩ (DC500V);  
 4.Withstand voltage: 500VAC ;  
 5.Insertion and extraction force: 3-30N;  
 6.life test: 5,000 cycles;  
 7.Operation temperature range:-20°C~70°C;  
 8.Preservative temperature range:-40°C~85°C;



□: TERMINAL NO.

⑤	Bushing	1	Brass	Nickel Plating
④	Shunt terminal	④	Brass t=0.4	Tin Plating
③	Tip spring	②	Phosphor bronze t=0.25	Tin Plating
②	Earth terminal	①	Steel t=0.4	Tin Plating
①	Housing	1	PBT,UL-94V-0	

NO.	DESCRIPTION	QTY	MATERIAL	REMARK
UNIT: MM		TYPE: 3.5mm Phone Jack (MONO)		MODEL NO: SCJ-0376
DESIGNER BY: Li Wenhui 2010.5.17		PAPER NO: A4		PAGE 1 OF 1
CHECK BY:		TOLERANCE ±0.3		ANGLES ±2°
APPROVED BY:		SCALE N/A		VER 1

