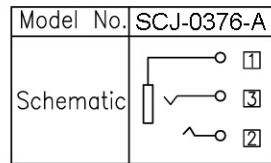
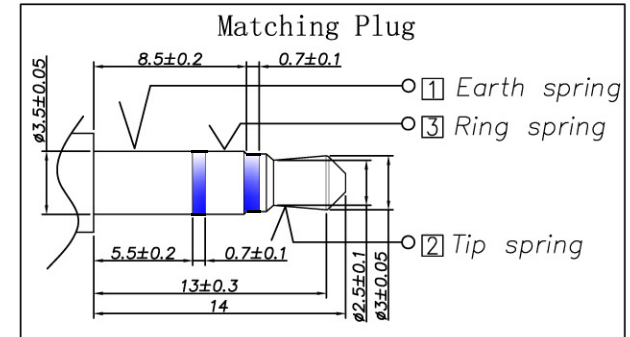
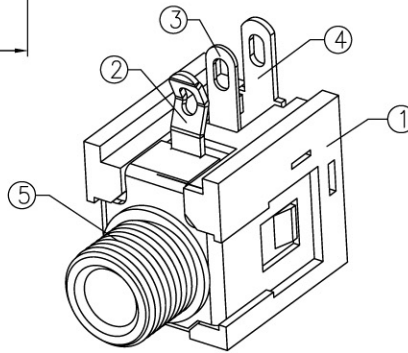


P. C. B Layout (TOP view)



□: TERMINAL NO.

SPECIFICATION

1. Rating : DC 30V 0.5A;
2. Contact resistance: $\leq 30\text{m}\Omega$;
3. Insulation resistance: $\geq 100\text{M}\Omega$ (DC250V);
4. Withstand voltage: 500VAC ;
5. Insertion and extraction force: 3-30N;
6. life test: 5,000 cycles.

NO.	DESCRIPTION	QTY	MATERIAL	PART NO.	PLATING
⑤	Bushing	1	Brass	PJ3076A-88	Ni-Plating
④	Ring spring	③ 1	Bronze t=0.4	PJ3076A-03	Sn-Plating
③	Tip spring	② 1	Bronze t=0.25	PJ3076A-02	Sn-Plating
②	Earth terminal	① 1	Steel t=0.4	PJ30760-01	Sn-Plating
①	Housing	1	PBT,UL-94V-0	PJ30760-S1	

UNIT:MM	TYPE: Ø3.5 PHONE JACK (STEREO)	MODEL NO: SCJ-0376-A	PAPER NO: A4	PAGE 1 OF 1
			TOLERANCE	ANGLES
			±0.3	±2'
			SCALE	VER
			FULL	1

DESIGNER BY: Li Wenhui 2009.7.17

CHECK BY:

APPROVED BY:

