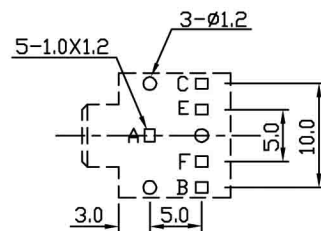
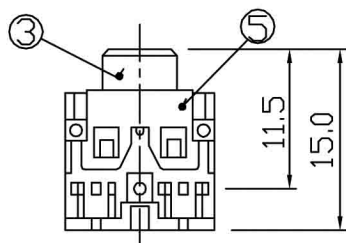
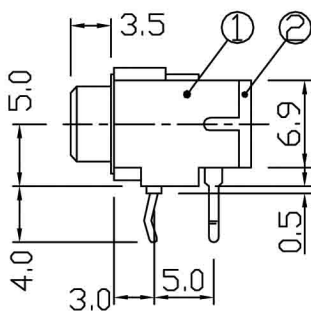
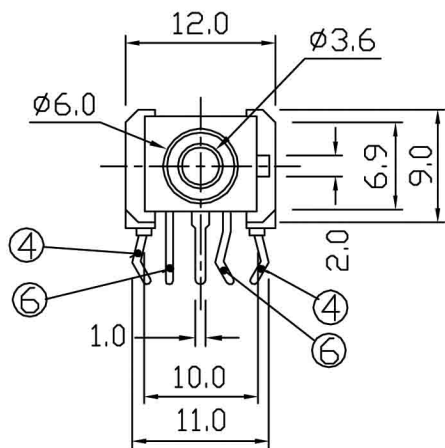
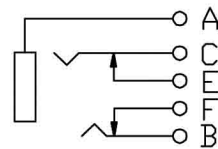


RoHS  
Compliance



5	TERMINAL	BRASS	1	Ag PLATED	6	TERMINAL	BRASS	2	Ag PLATED
3	SHEATH	COPPER ALLOY	1	NI PLATED	4	CONTACT	PBS-SH	2	Ag PLATED
1	FRAME	P B T	1		2	FRAME	P B T	1	
NO	PART	MATERIAL	QTY	REMARKS	NO	PART	MATERIAL	QTY	REMARKS

ISSUED	SPECIFICATION	TITLE: 3.5mm STEREO JACK		
	RATING: DC 30V 0.3A	MODEL NO: SCJ-0356A		
	CONTACT RESISTANCE: 50mΩ MAX	UNIT: MM	DWN	白竟成
	INSULATION RESISTANCE: 100MΩ AT 500V DC	SCALE: 1.5:1	CHK'D	汪志勇
	WITHSTAND VOLTAGE: AC 500V for 1 minute	TOLERANCE: ±0.2	APPD.	万运利
	OPERATION FORCE: REFER ATTACH SPECIFICATION			
	SWITCHING LIFE: 5k cycles min			

BY: 万运利  
DATE: 26-OCT-2006



DRWG NO:  
VERSION: 2.0