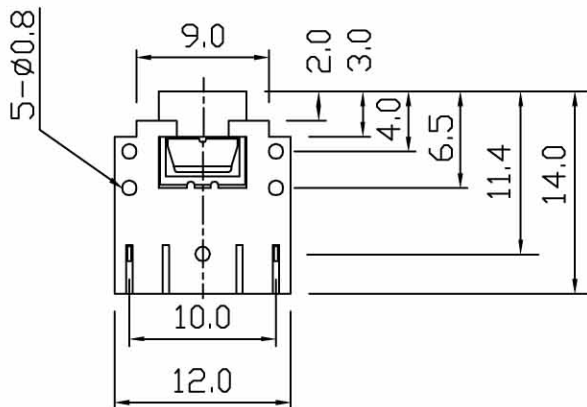
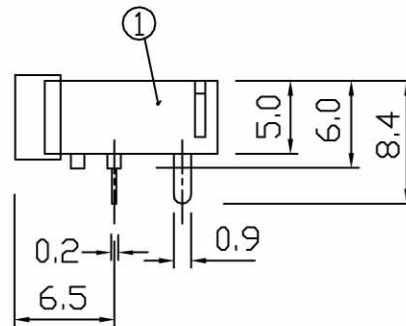
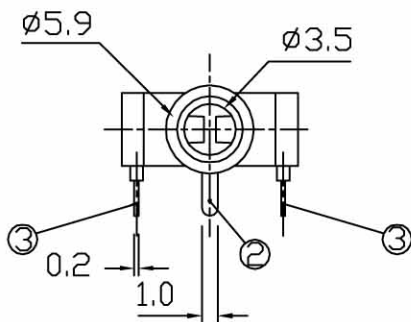
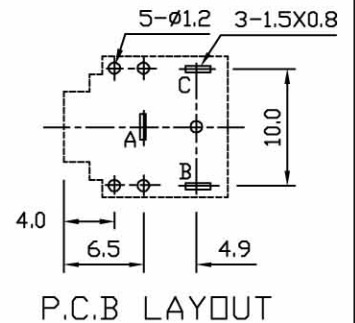
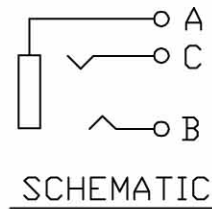


RoHS  
Compliance



3	CONTACT	S U S	2	Ag PLATED					
1	FRAME	P □ M	1		2	TERMINAL	P B S	1	Ag PLATED
NO	PART	MATERIAL	QTY	REMARKS	NO	PART	MATERIAL	QTY	REMARKS

ISSUED	SPECIFICATION				TITLE: 3.5mm STEREO JACK				
	RATING: DC 30V 0.3A				MODEL NO: SCJ-0355				
	CONTACT RESISTANCE: 50mΩ MAX				UNIT: MM	DWN			
	INSULATION RESISTANCE: 100MΩ AT 500V DC				SCALE: 2:1	CHK'D			
	WITHSTAND VOLTAGE: AC 500V for 1 minute				TOLERANCE: ±0.2	APP'D.			
	OPERATION FORCE: REFER ATTACH SPECIFICATION								
	SWITCHING LIFE: 5k cycles min								

BY:		DRWG NO:
DATE: 04-MAY-2006		VERSION: 2.0