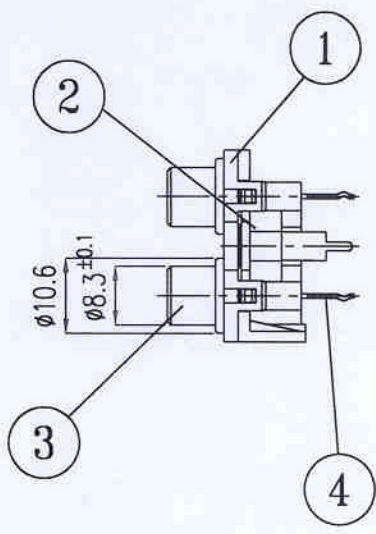
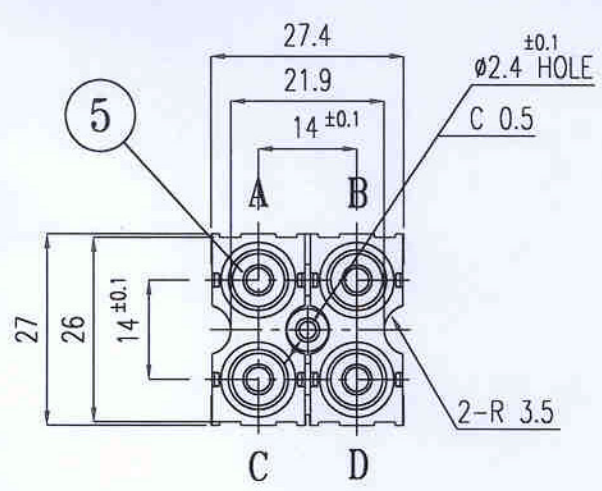
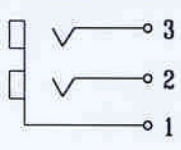


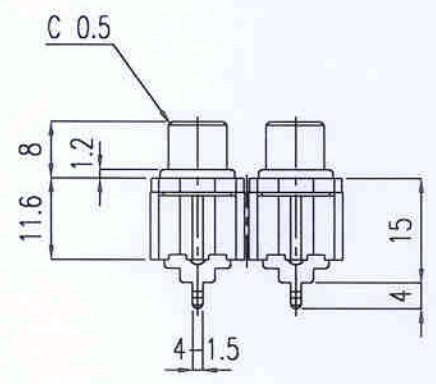
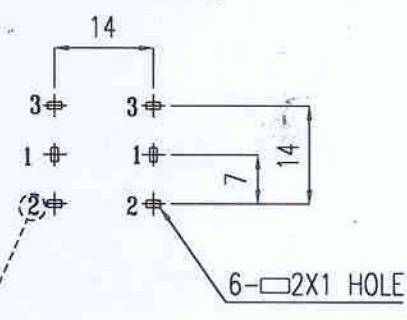
ALLOWANCE	MARK	DATE	DESCRIPTION OF REVISION	APPROVED
UNDER 3 ± 0.1	△	99. 7.24	ABS 94HB → NORYL 94V1 CHANGE	
3 TO 6 ± 0.2	△	. .		
6 TO 18 ± 0.3	△	. .		
18 TO 50 ± 0.4	△	. .		
50 OVER ± 0.5	△	. .		



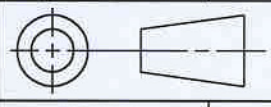
**SCHMATIC**



**PCB-MTG**  
(Solder surface)



5	WASHER	ABS	94HB	4	2M616	A:	B:
4	PIN	C2680 H	0.6t	4	2P017	C:	D:
3	CAP GROUND	C2600 1-0	0.4t	2	1P198		-PLATING
2	BASE	ABS	94HB	1	2M826		NP
1	COVER	△ ABS NORYL	94V1 94HB	2	2M824		BLACK
NO	PART NAME	MATERIAL	QUANTITY	PART NO	REMARKS		



SCALE 1/1 DIMENSION m/m

REVISION	DRAWING	CHECKED	APPROVED	NAME TITLE	PIN JACK BOARD(4P)
1.0				DRAWING NUMBER	JS040096 □ □
	1998.1.10	1998.1.10	1998.1.10		