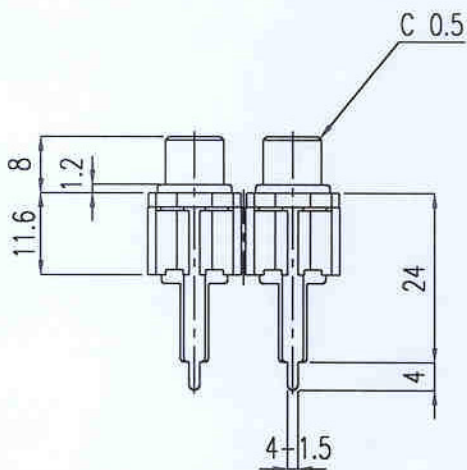
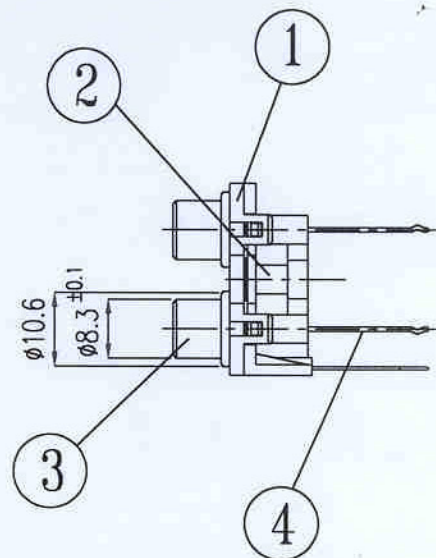
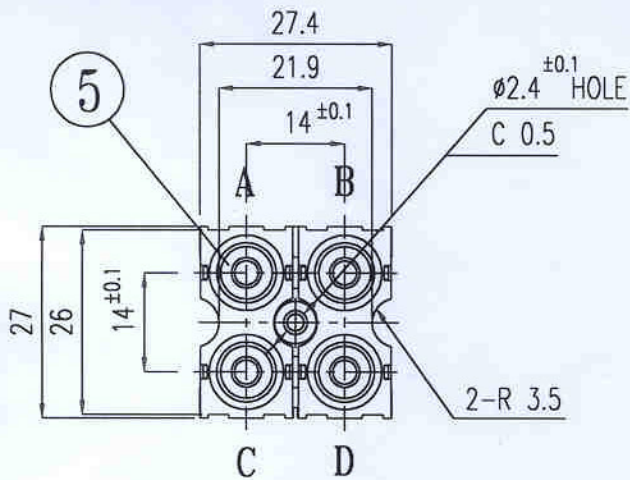
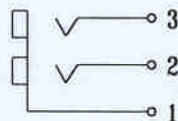


| ALLOWANCE      | MARK | DATE     | DESCRIPTION OF REVISION      | APPROVED |
|----------------|------|----------|------------------------------|----------|
| UNDER 3 ± 0.1  | △    | 99. 7.24 | ABS 94HB → NORYL 94V1 CHANGE |          |
| 3 TO 6 ± 0.2   | △    | . .      |                              |          |
| 6 TO 18 ± 0.3  | △    | . .      |                              |          |
| 18 TO 50 ± 0.4 | △    | . .      |                              |          |
| 50 OVER ± 0.5  | △    | . .      |                              |          |

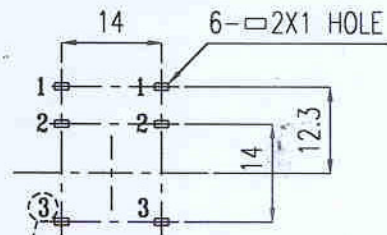


SCHEMATIC



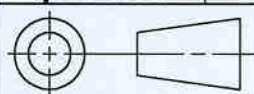
PCB-MTG

(Solder surface)



SCHEMATIC NO. \_\_\_\_\_

|    |            |                       |          |         |                |
|----|------------|-----------------------|----------|---------|----------------|
| 5  | WASHER     | ABS 94HB              | 4        | 2M616   | A: B:<br>C: D: |
| 4  | PIN        | C2680 H 0.5t          | 4        | 2P045   | -PLATING       |
| 3  | CAP GROUND | C2600 1-0 0.4t        | 2        | 1P044   | -PLATING       |
| 2  | BASE       | ABS 94HB              | 1        | 2M826   | NP             |
| 1  | COVER      | △ ABS NORYL 94V1 94HB | 2        | 2M824   | BLACK          |
| NO | PART NAME  | MATERIAL              | QUANTITY | PART NO | REMARKS        |



SCALE 1/1 DIMENSION m/m

| REVISION | DRAWING   | CHECKED   | APPROVED  | NAME TITLE     | PIN JACK BOARD(4P) |
|----------|-----------|-----------|-----------|----------------|--------------------|
| 1.0      |           |           |           | DRAWING NUMBER | JS040057 □ □       |
|          | 1998.1.10 | 1998.1.10 | 1998.1.10 |                |                    |