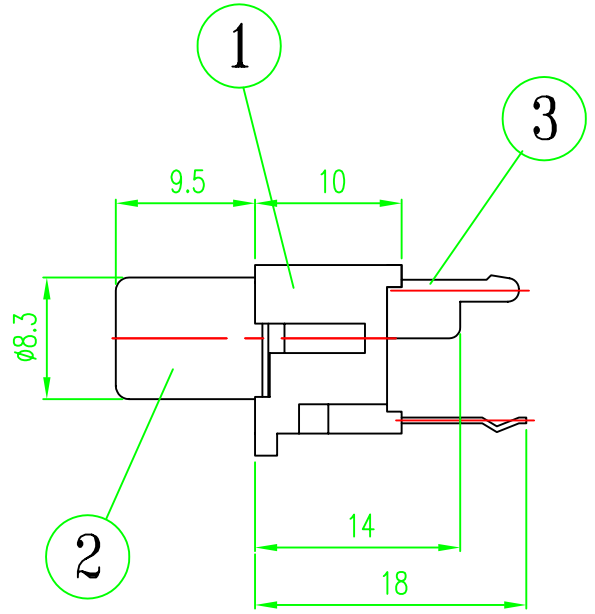
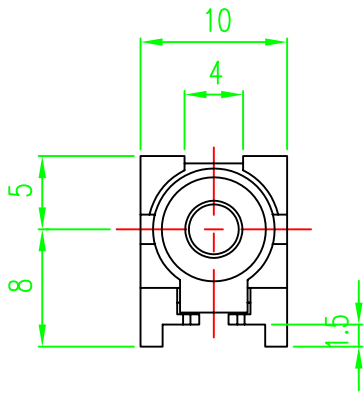
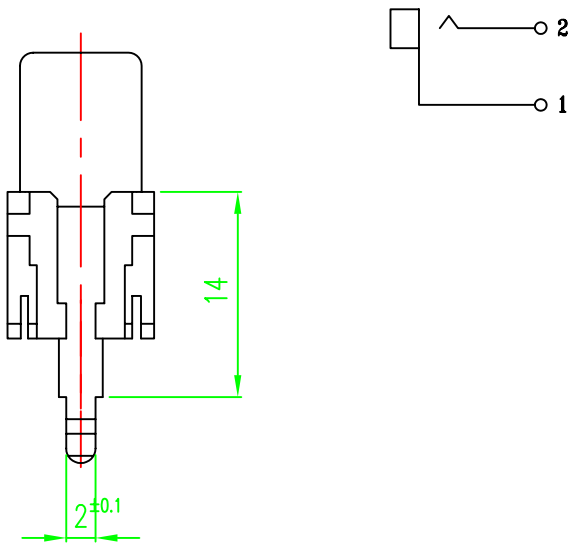


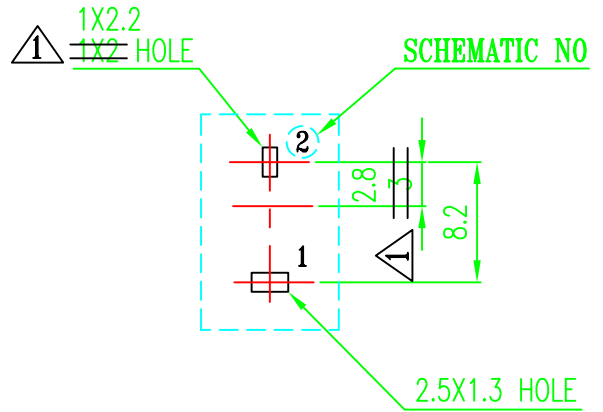
ALLOWANCE		MARK	DATE	DESCRIPTION OF REVISION	APPROVED
UNDER 3	± 0.1	△	1995.12.28	1X2 → 1X2.2 HOLE, 3 → 2.8 CHANGE	
3 TO 6	± 0.2	△	. .		
6 TO 18	± 0.3	△	. .		
18 TO 50	± 0.4	△	. .		
50 OVER	± 0.5	△	. .		



SCHEMATIC



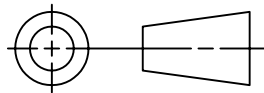
PCB MTG
(Solder surface)



3	PIN	C2680 H	0.6t	1	2P245	-PLATING
2	CAP GROUND	C2600 1-0	0.4t	1	1P244	-PLATING
1	BASE	ABS	94HB	1	2M639	

NO	PART NAME	MATERIAL	QUANTITY	PART NO	REMARKS
----	-----------	----------	----------	---------	---------

Vimex International Corp.
800-227-0075



SCALE

2/1

DIMENSION m/m

REVISION	DRAWING	CHECKED	APPROVED	NAME TITLE	PIN JACK BOARD(1P)
1. 1				DRAWING NUMBER	
	1995.12.28	1995.12.28	1995.12.28		JR010139