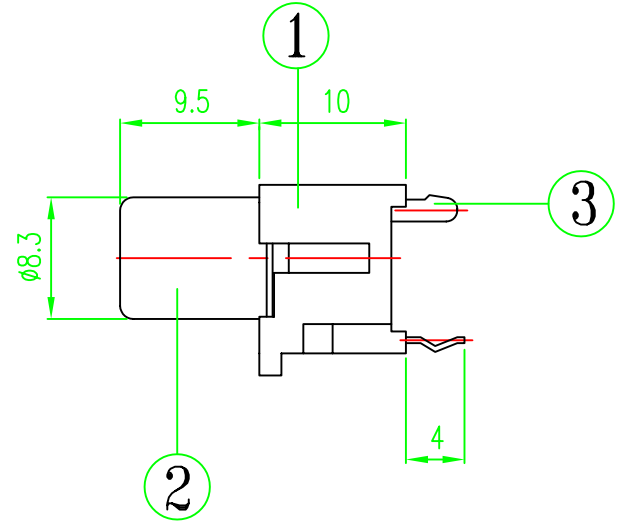
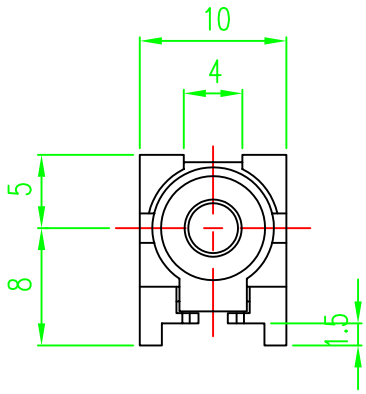
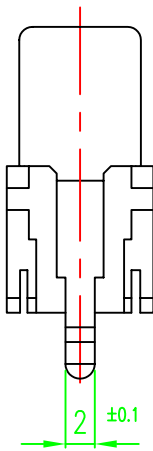
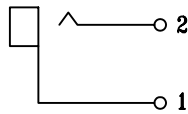


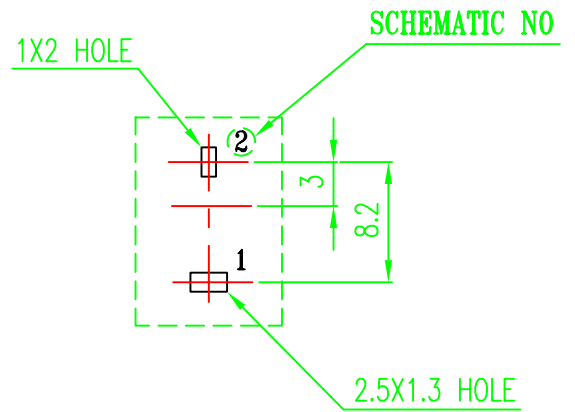
ALLOWANCE			MARK	DATE	DESCRIPTION OF REVISION	APPROVED
UNDER	3	± 0.1	△	. .		
3 TO	6	± 0.2	△	. .		
6 TO	18	± 0.3	△	. .		
18 TO	50	± 0.4	△	. .		
50 OVER		± 0.5	△	. .		



SCHEMATIC

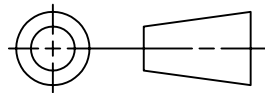


PCB MTG  
(Solder surface)



3	PIN	C2680 H 0.6t	1	P241	-PLATING
2	CAP GROUND	C2600 1-0 0.4t	1	P240	-PLATING
1	BASE	ABS 94 V-0	1	M639	
NO	PART NAME	MATERIAL	QUANTITY	PART NO	REMARKS

Vimex International Corp.  
800-227-0075



SCALE

2/1

DIMENSION m/m

REVISION	DRAWING	CHECKED	APPROVED	NAME TITLE	PIN JACK BOARD(1P)
1. 1	1995.3.8	1995.3.8	2001.6.28	B. Emmerich	
				DRAWING NUMBER	JR010137