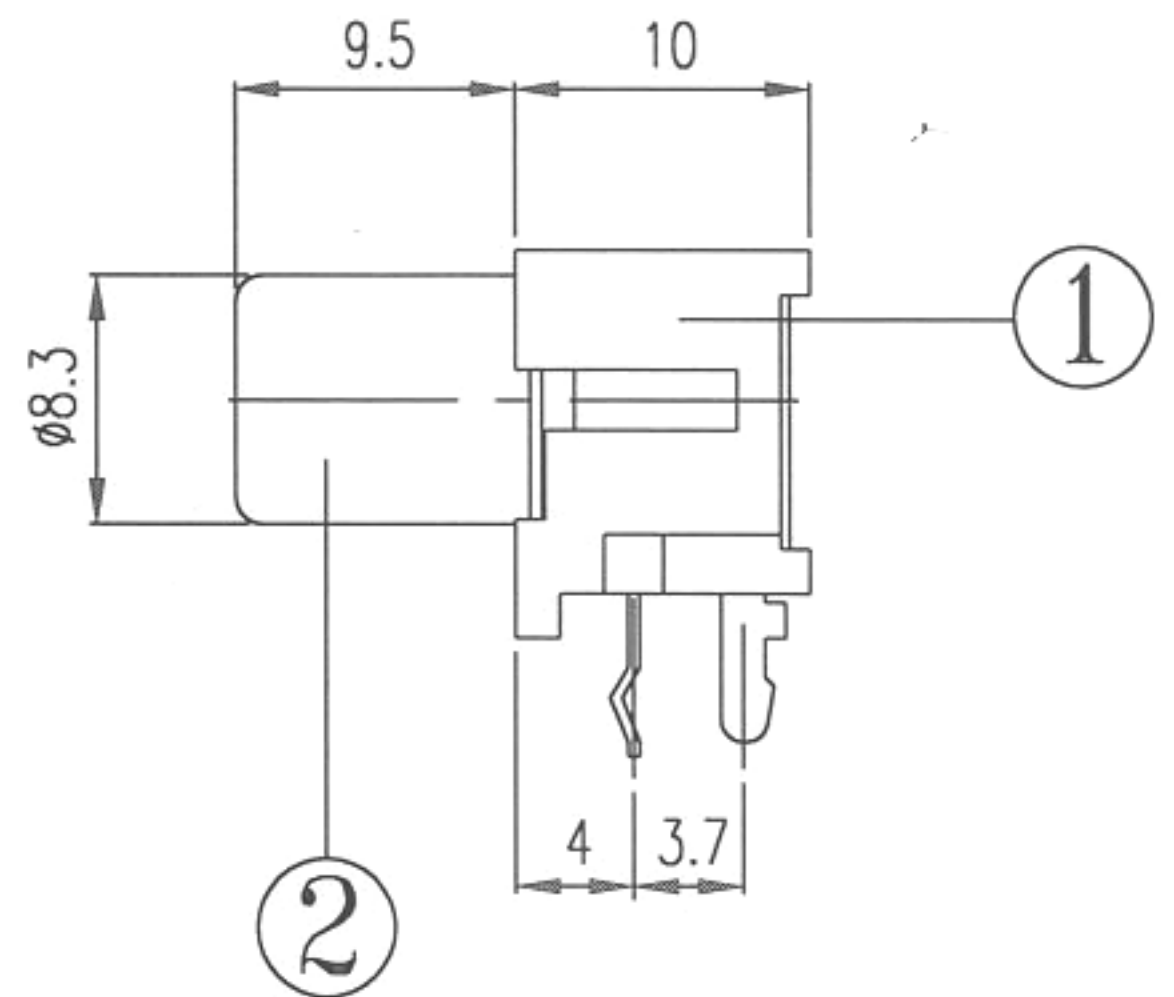
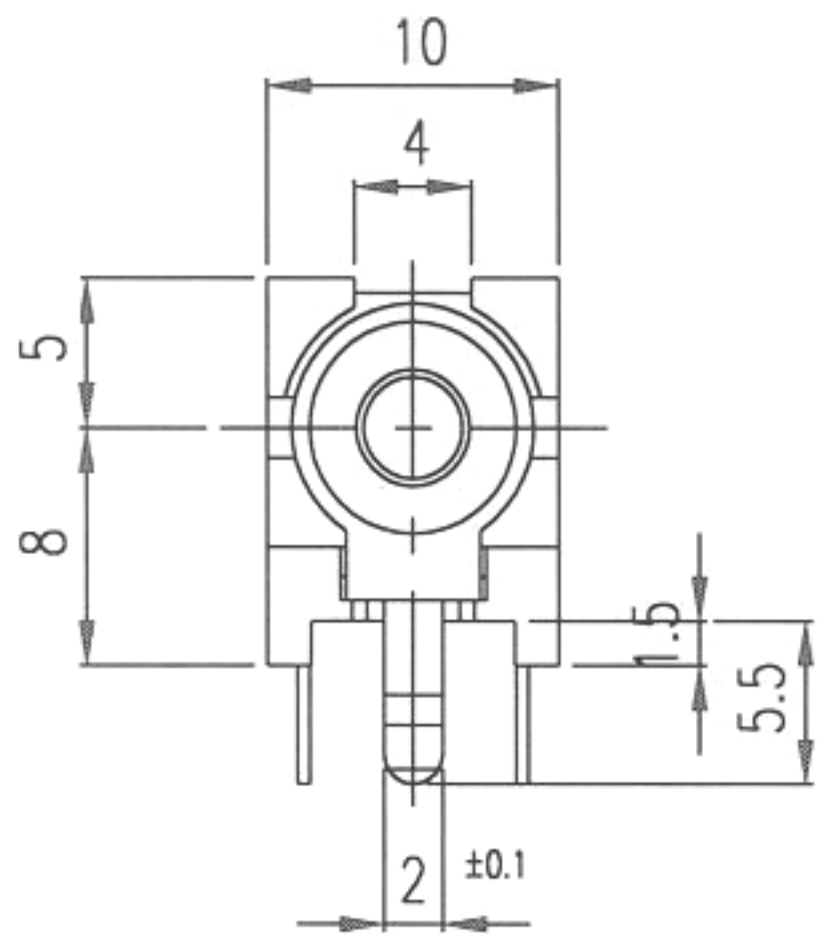
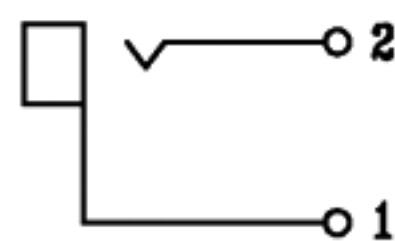


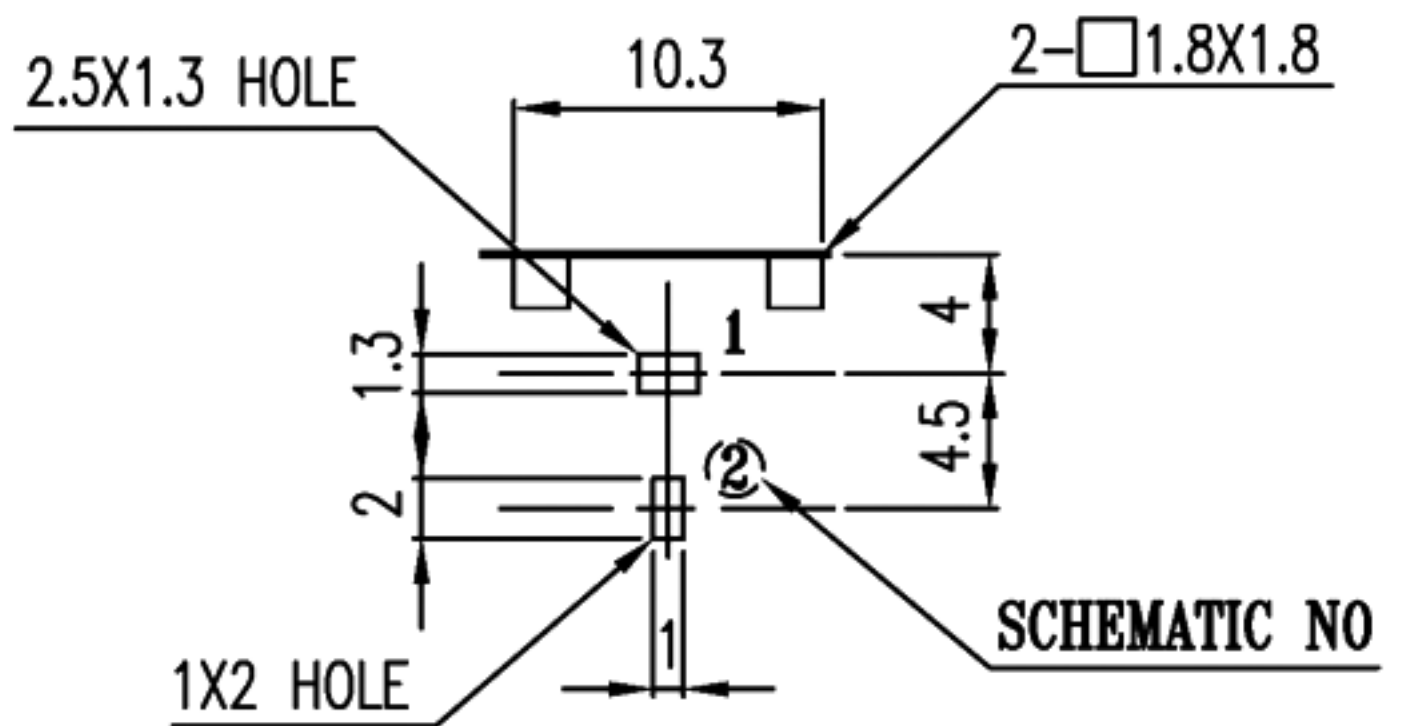
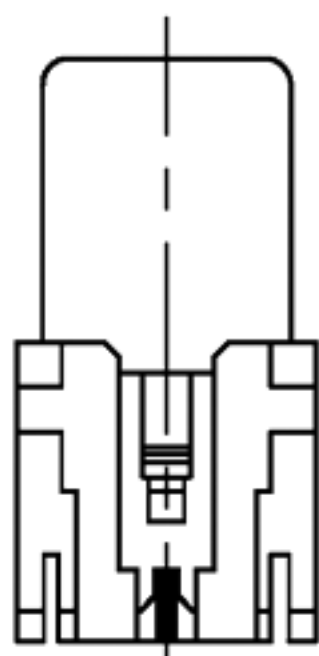
ALLOWANCE			MARK	DATE	DESCRIPTION OF REVISION	APPROVED
UNDER	3	± 0.1	△	. .		
3 TO	6	± 0.2	△	. .		
6 TO	18	± 0.3	△	. .		
18 TO	50	± 0.4	△	. .		
50 OVER		± 0.5	△	. .		



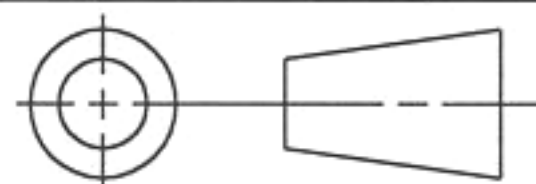
**SCHEMATIC**



**PCB MTG**  
(Solder surface)



3	PIN	C2680 H	0.6t	1	2P233	-PLATING
2	CAP GROUND	C2600 1-0	0.4t	1	1P232	-PLATING
1	BASE	ABS	94HB	1	2M639	
NO	PART NAME	MATERIAL		QUANTITY	PART NO	REMARKS



SCALE 2/1 DIMENSION m/m

REVISION	DRAWING	CHECKED	APPROVED	NAME	TITLE
1.1	1995.3.8	1995.3.8	1995.3.8		PIN JACK BOARD(1P)
				DRAWING NUMBER	JR010135__