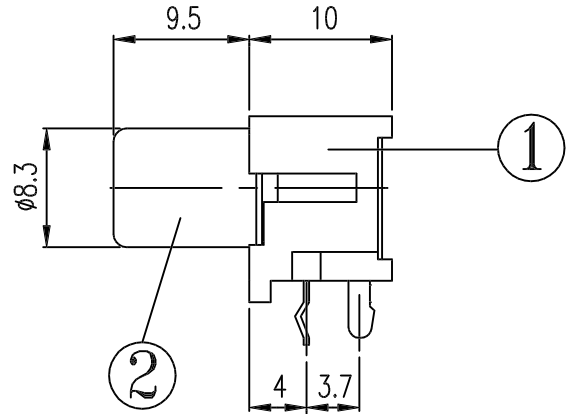
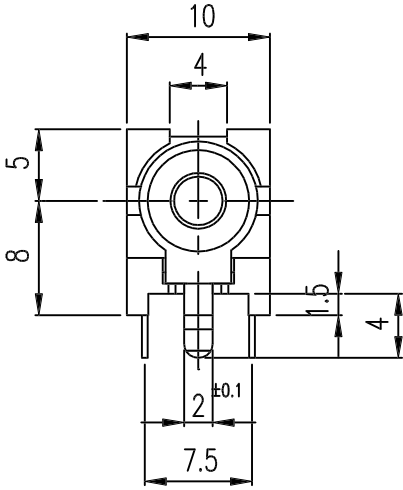
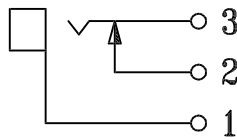


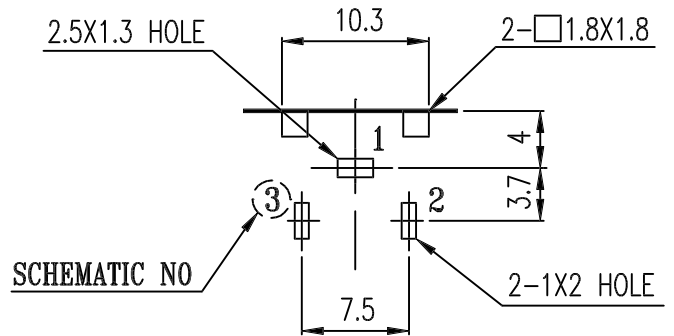
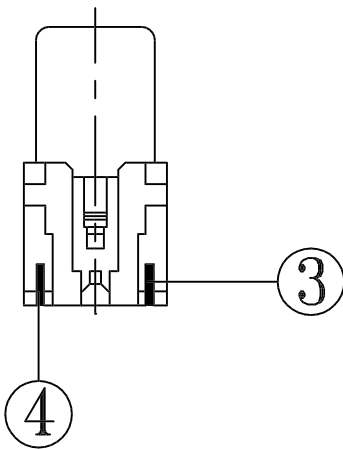
ALLOWANCE	MARK	DATE	DESCRIPTION OF REVISION	APPROVED
UNDER 3 ± 0.1	△	07. 8. 8	94 V-0 → 94HB CHANGE	
3 TO 6 ± 0.2				
6 TO 18 ± 0.3	△	. .		
18 TO 50 ± 0.4	△	. .		
50 OVER ± 0.5				



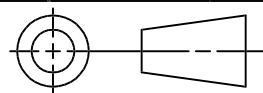
SCHEMATIC



PCB MTG  
(Solder surface)



4	SPRING TER'	C5210 H 0.3t	1	2P234	SN-PLATING
3	BREAK TER'	C2680 1/2H 0.4t	1	2P235	SN-PLATING
2	CAP GROUND	C2600 1-0 0.4t	1	1P232	AU-PLATING
1	BASE	ABS △ 94HB 94 V=0	1	2M639	YELLOW
NO	PART NAME	MATERIAL	QUANTITY	PART NO	REMARKS



SCALE 2/1 DIMENSION m/m

REVISION	DRAWING	CHECKED	APPROVED	NAME TITLE	PIN JACK BOARD(1P)
1. 1				DRAWING NUMBER	
	2007.08.30	2007.08.30	2007.09.04		JR010134YG