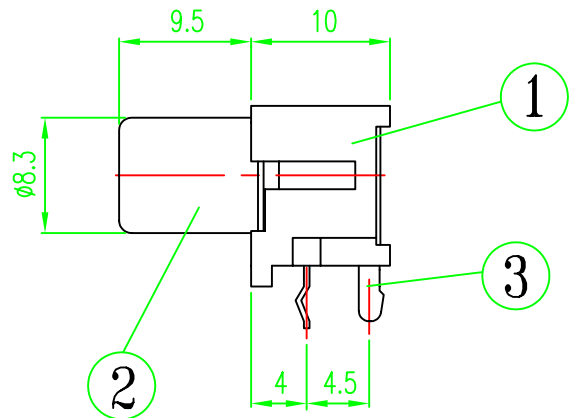
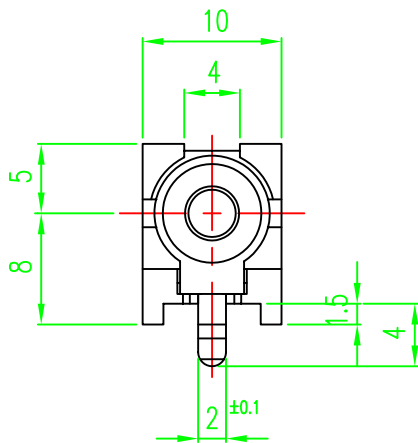
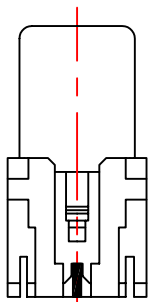
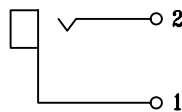


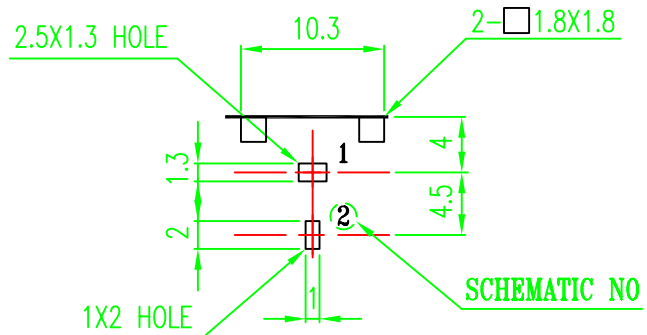
ALLOWANCE	MARK	DATE	DESCRIPTION OF REVISION	APPROVED
UNDER 3 ± 0.1	△	. .		
3 TO 6 ± 0.2	△	. .		
6 TO 18 ± 0.3	△	. .		
18 TO 50 ± 0.4	△	. .		
50 OVER ± 0.5	△	. .		



SCHEMATIC



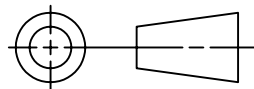
PCB MTG
(Solder surface)



3	PIN	C2680 H 0.6t	1	2P233	-PLATING
2	CAP GROUND	C2600 1-0 0.4t	1	1P232	-PLATING
1	BASE	ABS 94HB	1	2M639	

NO	PART NAME	MATERIAL	QUANTITY	PART NO	REMARKS
----	-----------	----------	----------	---------	---------

Vimex International Corp.
800-227-0075



SCALE

2/1

DIMENSION

m/m

REVISION	DRAWING	CHECKED	APPROVED	NAME TITLE	PIN JACK BOARD(1P)
1.1				DRAWING NUMBER	JR010133
	1995.3.8	1995.3.8	1995.3.8		