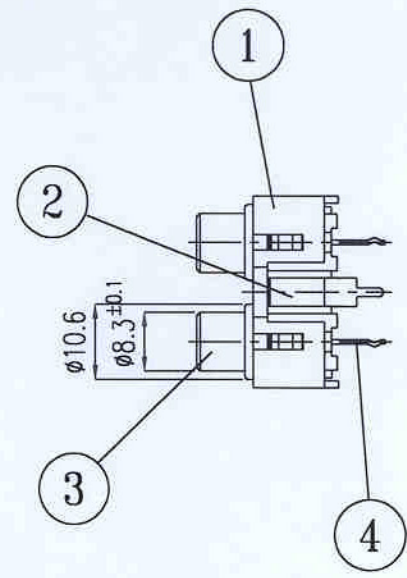
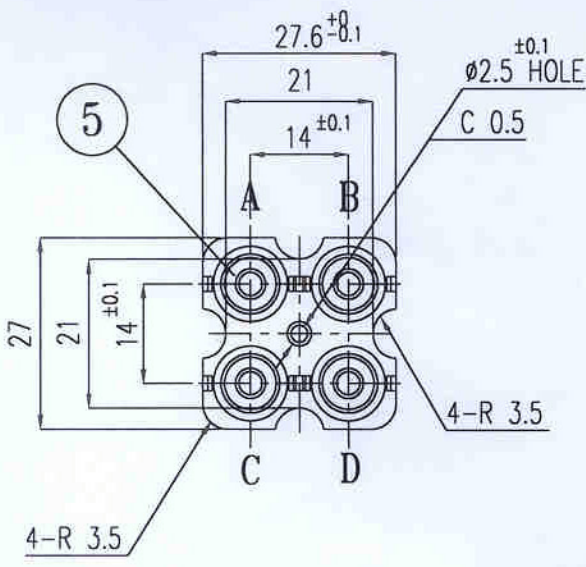
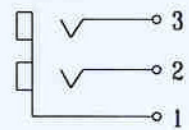


ALLOWANCE			MARK	DATE	DESCRIPTION OF REVISION	APPROVED
UNDER	3	± 0.1	△	. .		
3 TO	6	± 0.2	△	. .		
6 TO	18	± 0.3	△	. .		
18 TO	50	± 0.4	△	. .		
50	OVER	± 0.5	△	. .		

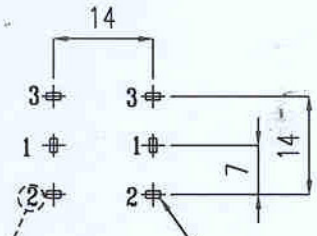


SCHMATIC

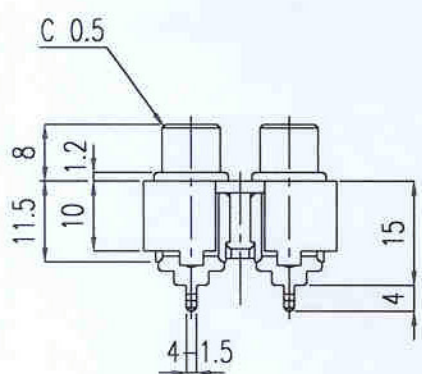


PCB-MTG

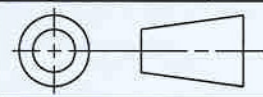
(Solder surface)



SCHEMATIC NO. _____



5	WASHER	ABS	94HB	4	2M616	A:	B:
4	PIN	C2680 H	0.6t	4	2P017	C:	D:
3	CAP GROUND	C2600 1-0	0.4t	2	1P198		-PLATING
2	BASE	ABS	94HB	2	2M749		NP
1	COVER	ABS	94HB	1	2M732		BLACK
NO	PART NAME	MATERIAL		QUANTITY	PART NO		REMARKS



SCALE 1/1 DIMENSION m/m

REVISION	DRAWING	CHECKED	APPROVED	NAME	TITLE
1.2					PIN JACK BOARD(4P)
	2001.01.28	2001.01.28	2001.01.28	DRAWING NUMBER	JK040096□□