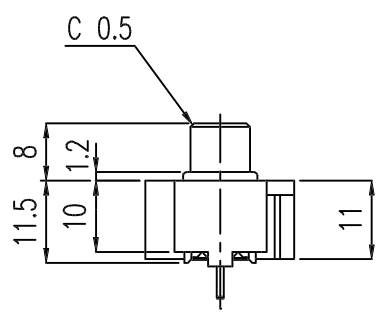
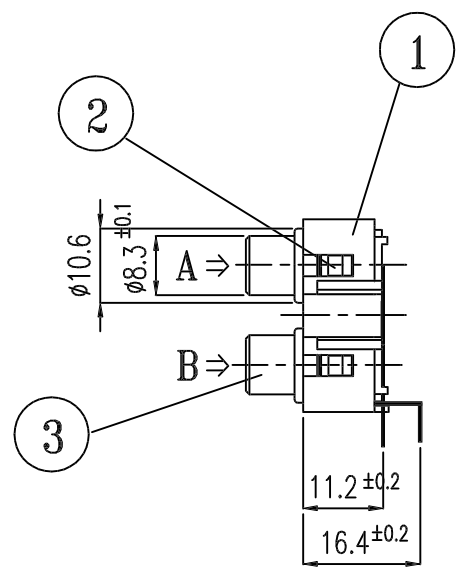
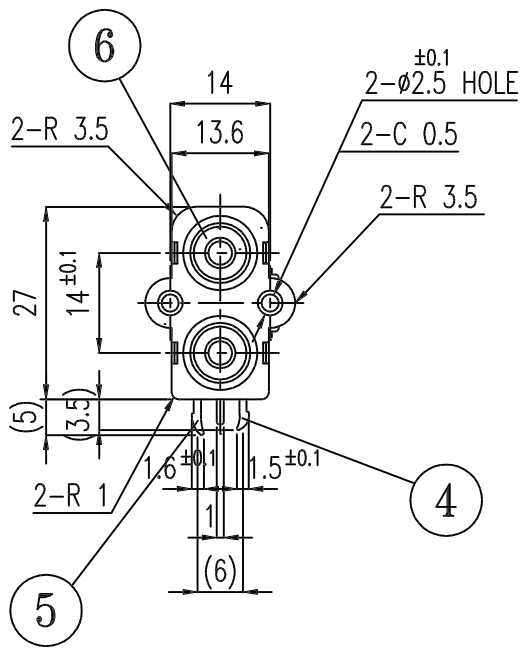
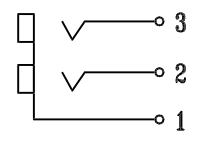


| ALLOWANCE | MARK | DATE | DESCRIPTION OF REVISION | APPROVED |
|----------------|------|------|-------------------------|----------|
| UNDER 3 ± 0.1 | △ | . . | | |
| 3 TO 6 ± 0.2 | △ | . . | | |
| 6 TO 18 ± 0.3 | △ | . . | | |
| 18 TO 50 ± 0.4 | △ | . . | | |
| 50 OVER ± 0.5 | △ | . . | | |

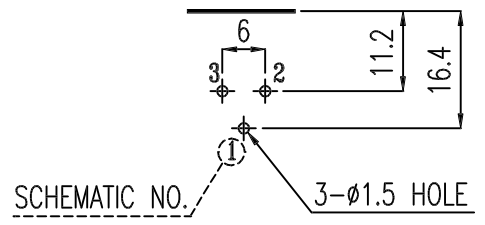


SCHMATIC



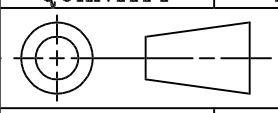
PCB-MTG

(Solder surface)



*B:BLACK

| | | | | | | |
|----|------------|------------|------|----------|---------|------------|
| 6 | WASHER | ABS | 94HB | 2 | 2M616 | A: B B: B |
| 5 | PIN-L | C2680 1/2H | 0.4t | 1 | 2P167 | NI-PLATING |
| 4 | PIN-S | C2680 1/2H | 0.4t | 1 | 2P168 | NI-PLATING |
| 3 | CAP GROUND | C2600 1-0 | 0.4t | 1 | 1P197 | NI-PLATING |
| 2 | BASE | ABS | 94HB | 1 | 2M749 | NP |
| 1 | COVER | ABS | 94HB | 1 | 2M743 | BLACK |
| NO | PART NAME | MATERIAL | | QUANTITY | PART NO | REMARKS |



SCALE 1/1 DIMENSION m/m

| REVISION | DRAWING | CHECKED | APPROVED | NAME TITLE | PIN JACK BOARD(2P) |
|----------|-----------|-----------|----------|----------------|--------------------|
| 1.1 | 1994.12.1 | 1994.12.1 | | DRAWING NUMBER | JK020093BN |