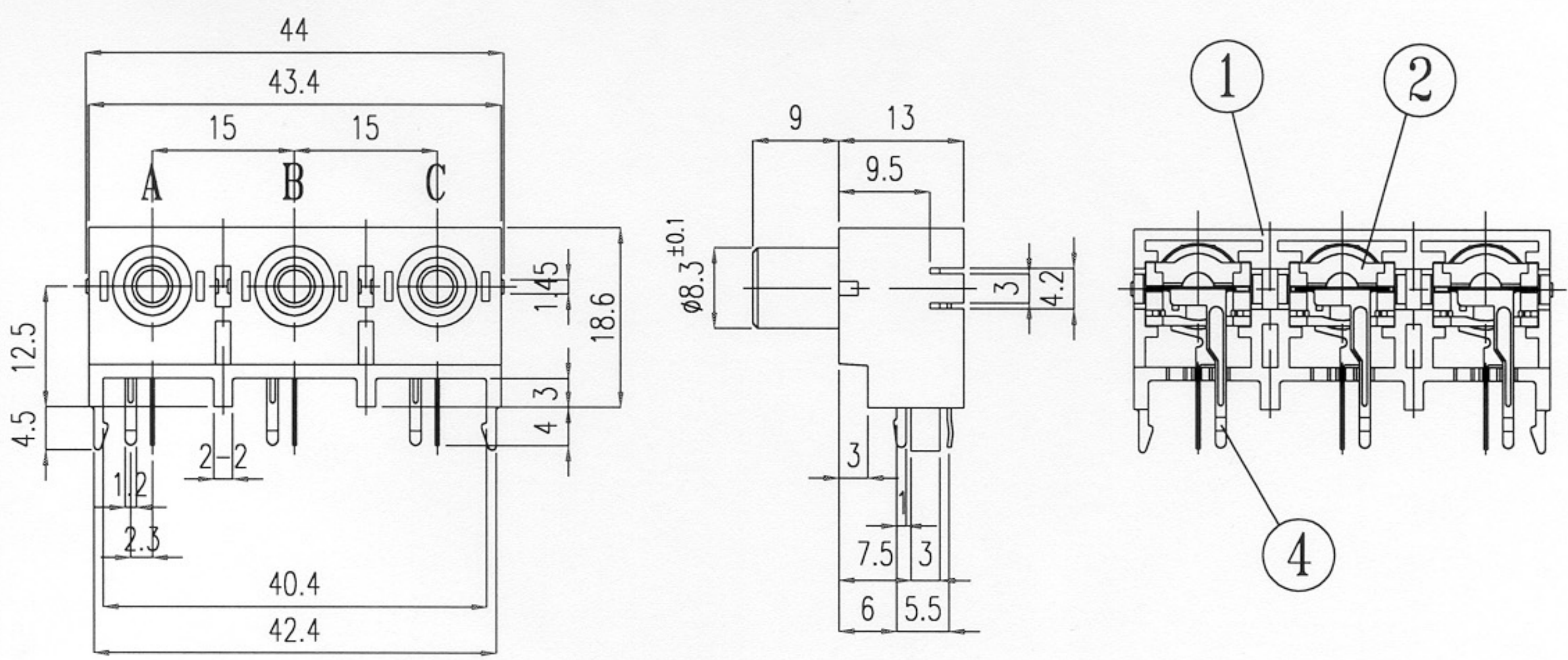
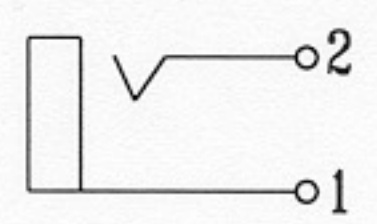


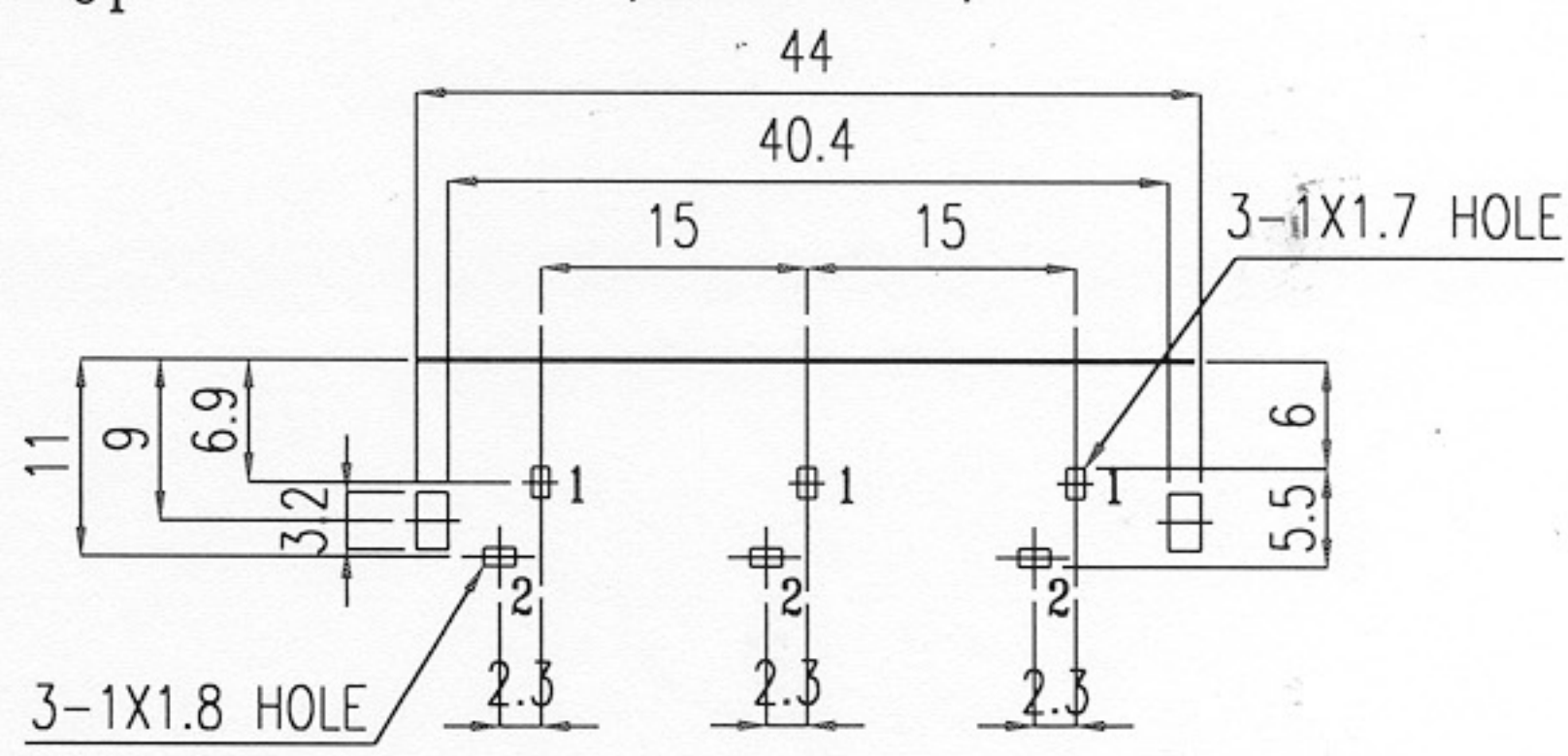
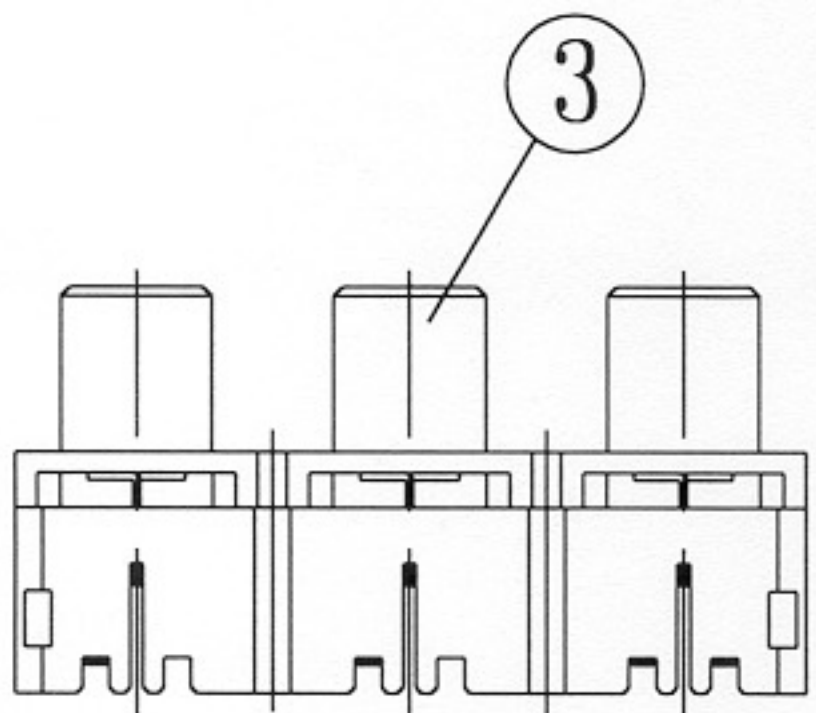
ALLOWANCE			MARK	DATE	DESCRIPTION OF REVISION	APPROVED
UNDER	3	± 0.1	△	. .		
3 TO	6	± 0.2				
6 TO	18	± 0.3	△	. .		
18 TO	50	± 0.4				
50	OVER	± 0.5	△	. .		



SCHEMATIC

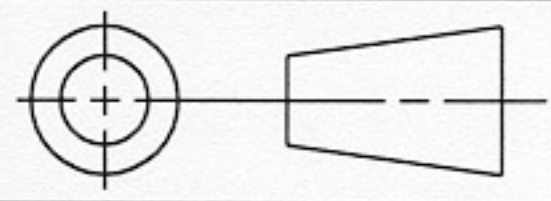


PCB-MTG  
(Solder surface)



\*G:Green U:Blue

4	PIN	C2680 1/2H	0.4t	3	2P354	SnPb-PLATING
3	CAP GROUND	SPCC	0.4t	3	1P353	NI-PLATING
2	BASE	ABS	94HB	3	2M852	A; R B; G C; U
1	COVER	ABS	94HB	1	2M851	BLACK
NO	PART NAME	MATERIAL		QUANTITY	PART NO	REMARKS



SCALE 1/1 DIMENSION m/m

REVISION	DRAWING	CHECKED	APPROVED	NAME TITLE	PIN JACK BOARD(3P)
1.0	1999.07.03	1999.07.03	1999.07.03	DRAWING NUMBER	
					JF0301654N