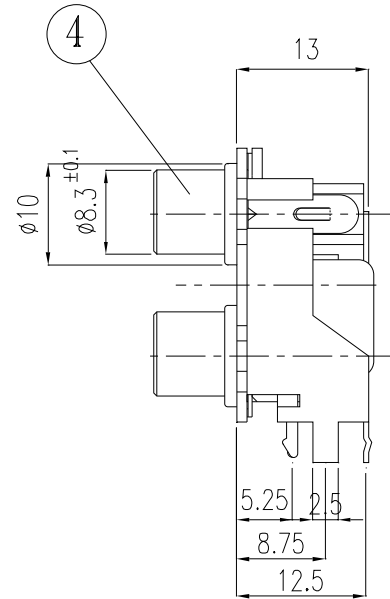
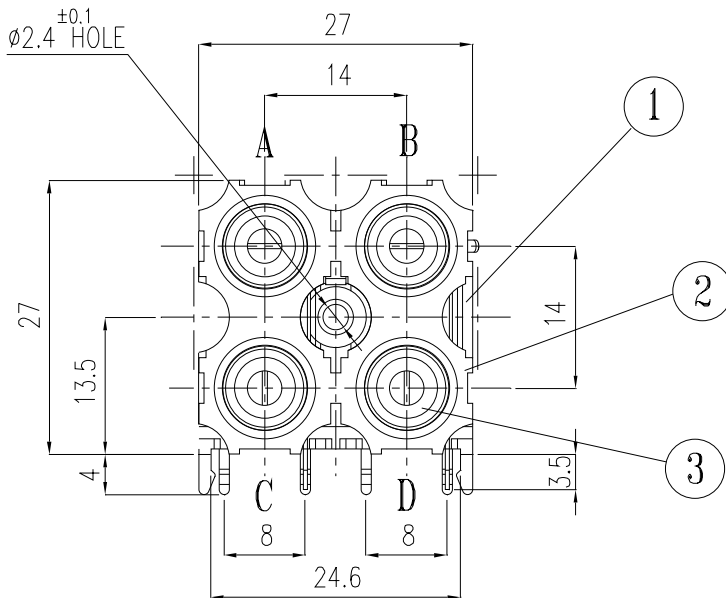
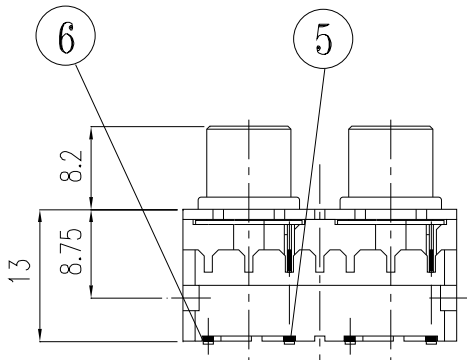
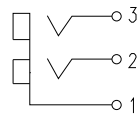


ALLOWANCE			MARK	DATE	DESCRIPTION OF REVISION	APPROVED
UNDER	3	± 0.1	△	. .		
3 TO	6	± 0.2	△	. .		
6 TO	18	± 0.3	△	. .		
18 TO	50	± 0.4	△	. .		
50 OVER		± 0.5	△	. .		

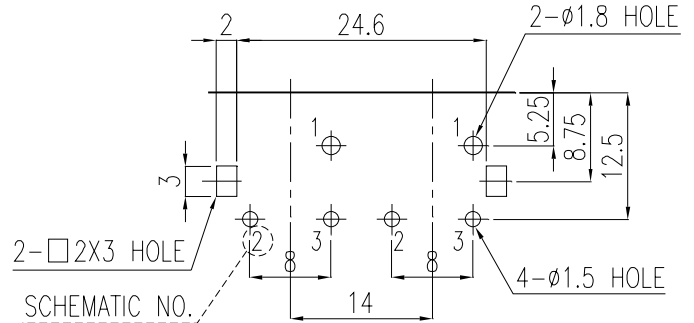


SCHMATIC



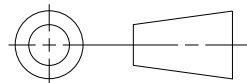
PCB-MTG

(Solder surface)



6	PIN-S	C2680 H	0.5t	2	2P118	SN-PLATING
5	PIN-L	C2680 H	0.5t	2	2P117	SN-PLATING
4	CAP GROUND	C2600 1-0	0.4t	2	1P0981	NI-PLATING
3	WASHER	ABS	94HB	4	2M616	A: W _R B: W _R C: W _R D: W _R
2	COVER	ABS	94HB	1	2M772B1	BLACK
1	BASE	ABS	94HB	1	2M771	BLACK
NO	PART NAME	MATERIAL		QUANTITY	PART NO	REMARKS

Vimex International Corp.
800-227-0075



SCALE 1/1 DIMENSION m/m

REVISION	DRAWING	CHECKED	APPROVED	NAME TITLE	PIN JACK BOARD(4P)
1.2				DRAWING NUMBER	JE040D600N
	2001.09.13	2001.09.13	2001.09.13		