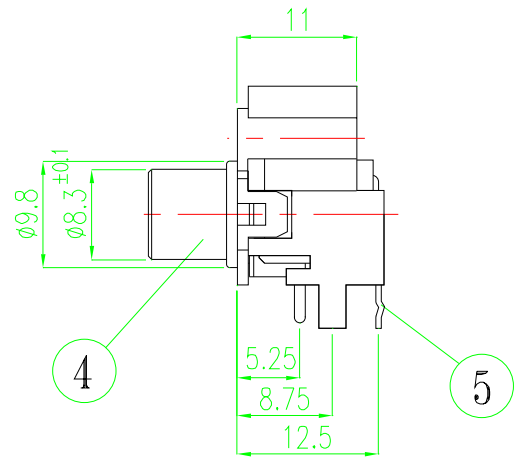
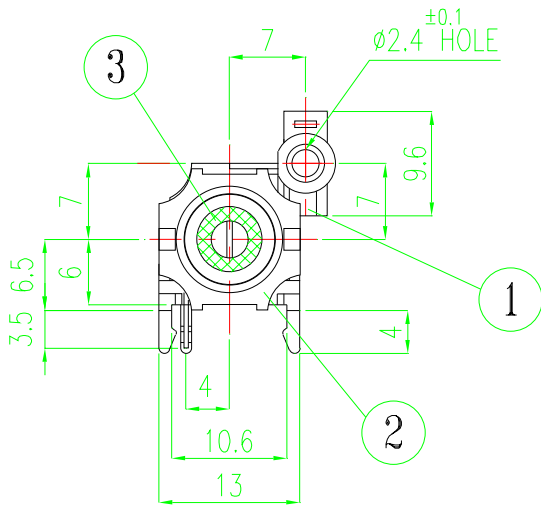
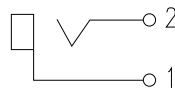


ALLOWANCE			MARK	DATE	DESCRIPTION OF REVISION	APPROVED
UNDER	3	± 0.1	△	. .		
3 TO	6	± 0.2	△	. .		
6 TO	18	± 0.3	△	. .		
18 TO	50	± 0.4	△	. .		
50 OVER		± 0.5	△	. .		

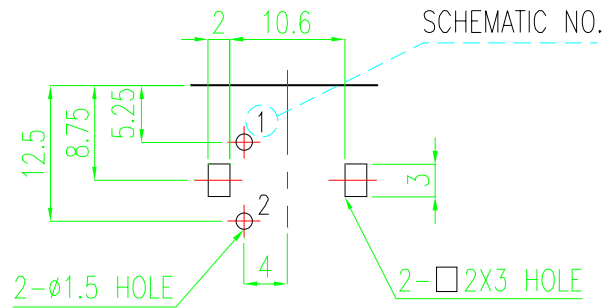
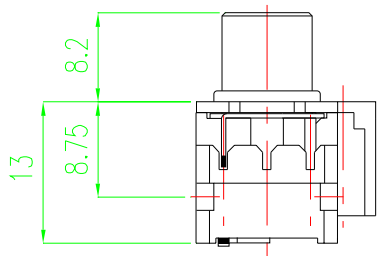


SCHEMATIC



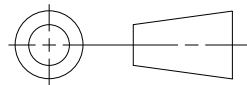
PCB-MTG

(Solder surface)



5	PIN-S	C2680 H	0.5t	1	2P118	SN-PLATING
4	CAP-S	C2600 1-0	0.4t	1	1P100	xx-PLATING
3	WASHER	ABS	94HB	1	2M616	COLOR
2	COVER	ABS	94HB	1	2M865	BLACK
1	BASE	ABS	94HB	1	2M864	BLACK
NO	PART NAME	MATERIAL		QUANTITY	PART NO	REMARKS

Vimex International Corp.  
800-227-0075



SCALE 1/1 DIMENSION m/m

REVISION	DRAWING	CHECKED	APPROVED	NAME TITLE	PIN JACK BOARD(1P)
1.0	L.M.S			DRAWING NUMBER	JE010003 □ □
	1999.02.11	2003.10.30	1999.02.11		