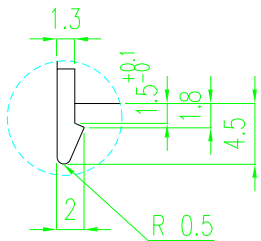
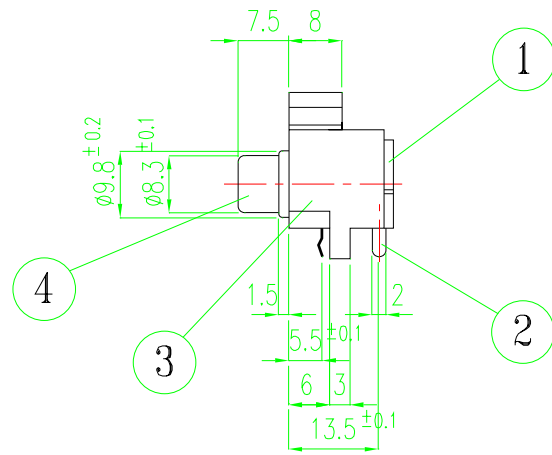
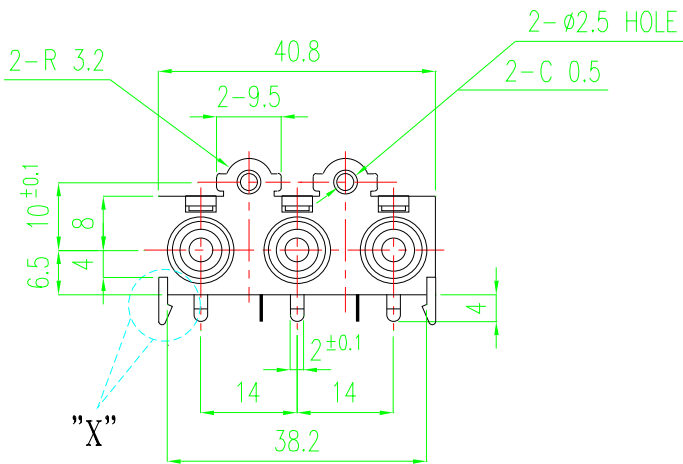
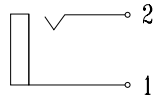


ALLOWANCE		MARK	DATE	DESCRIPTION OF REVISION	APPROVED
UNDER 3	± 0.1	△	. .		
3 TO 6	± 0.2	△	. .		
6 TO 18	± 0.3	△	. .		
18 TO 50	± 0.4	△	. .		
50 OVER	± 0.5	△	. .		



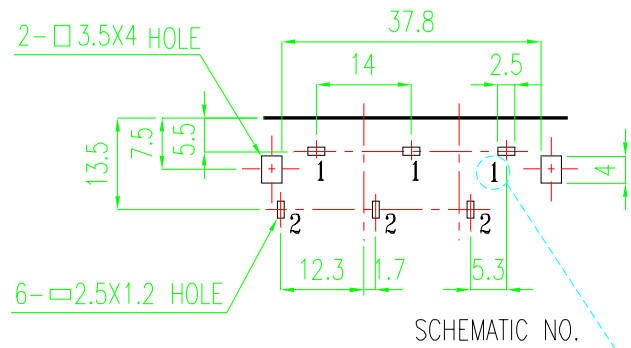
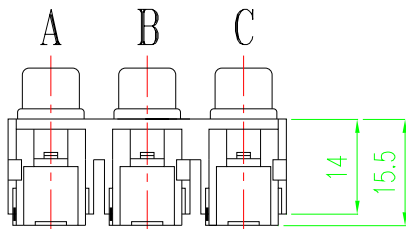
DETAIL "X"

SCHEMATIC



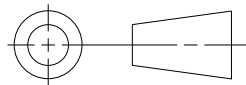
PCB-MTG

(Solder surface)



4	CAP GROUND	C2600 1-0	0.4t	3	1P146	NI-PLATING
3	COVER	ACETAL		1	2M714	BLACK
2	PIN	C2680 H	0.5t	3	2P147	NI-PLATING
1	BASE	ACETAL		3	2M719	A:Red B:White C:Yellow
NO	PART NAME	MATERIAL		QUANTITY	PART NO	REMARKS

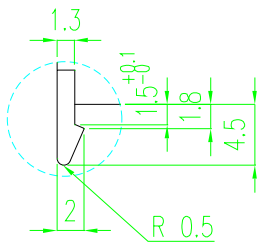
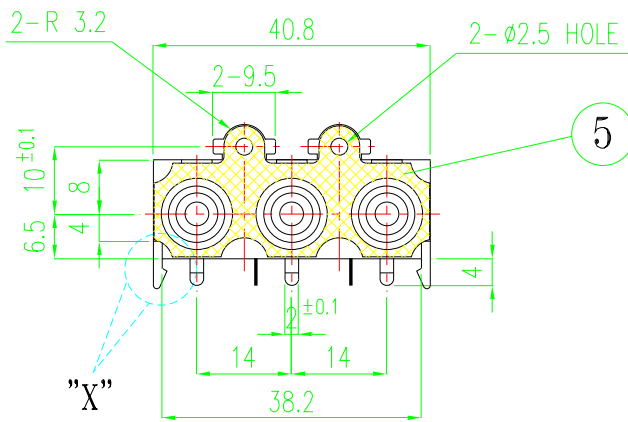
Vimex International Corp.
800-227-0075



SCALE 1/1 DIMENSION m/m

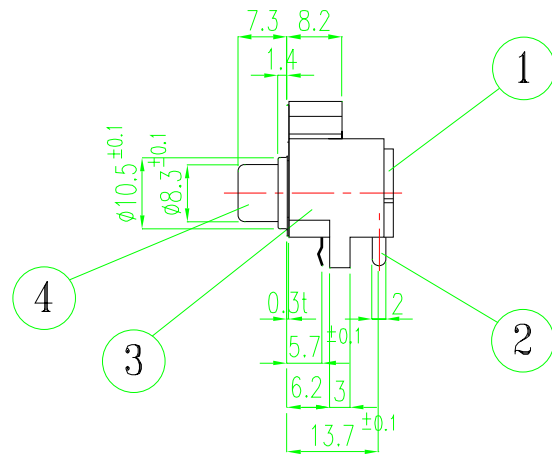
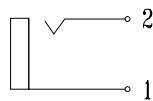
REVISION	DRAWING	CHECKED	APPROVED	NAME TITLE	PIN JACK BOARD(3P)
1. 1	L.M.S			DRAWING NUMBER	JC0300120N
	2001.01.11	2002.06.05	2002.06.05		

ALLOWANCE		MARK	DATE	DESCRIPTION OF REVISION	APPROVED
UNDER 3	± 0.1	△	. .		
3 TO 6	± 0.2	△	. .		
6 TO 18	± 0.3	△	. .		
18 TO 50	± 0.4	△	. .		
50 OVER	± 0.5	△	. .		



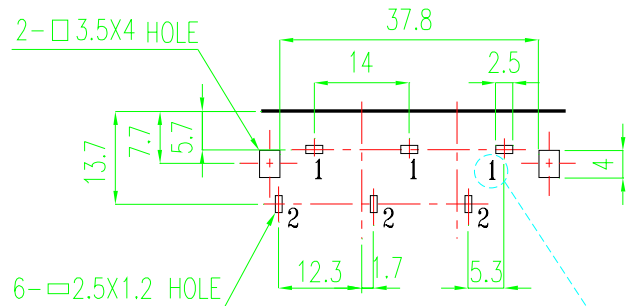
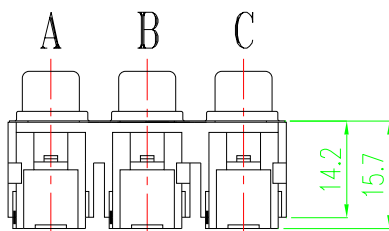
DETAIL "X"

SCHEMATIC



PCB-MTG

(Solder surface)

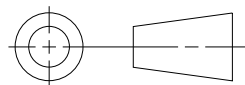


SCHEMATIC NO.

*U:BLUE

5	GROUND PLATE	C2600 1-0	0.2t	1	2P284	NI-PLATING
4	CAP GROUND	C2600 1-0	0.4t	3	1P146	AU-PLATING
3	COVER	ACETAL		1	2M714	BLACK
2	PIN	C2680 H	0.5t	3	2P147	NI-PLATING
1	BASE	ACETAL		3	2M719	A: Green B: blue C: Red
NO	PART NAME	MATERIAL		QUANTITY	PART NO	REMARKS

Vimex International Corp.
800-227-0075



SCALE 1/1 DIMENSION m/m

REVISION	DRAWING	CHECKED	APPROVED	NAME TITLE	PIN JACK BOARD(3P)
1.0	L.M.S			DRAWING NUMBER	
	2001.01.11	2002.04.03	2002.04.03		JC030012VG