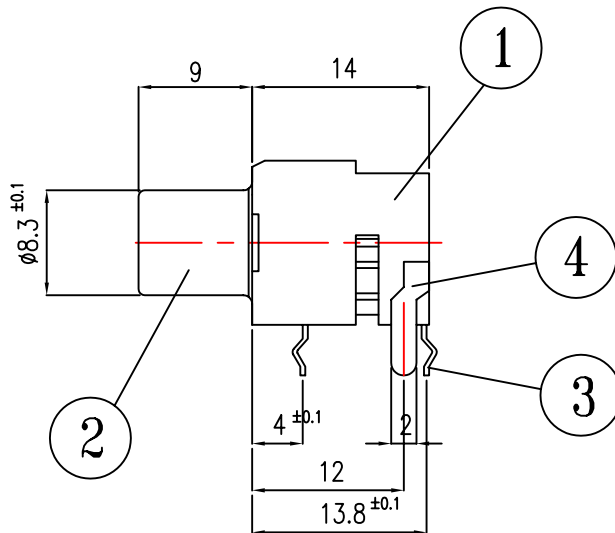
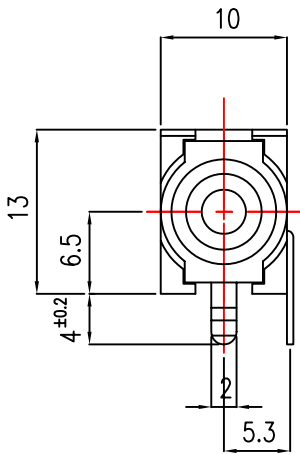
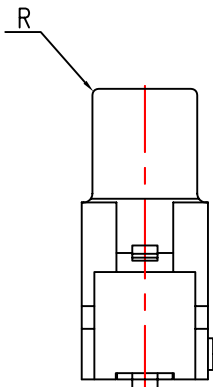
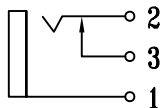


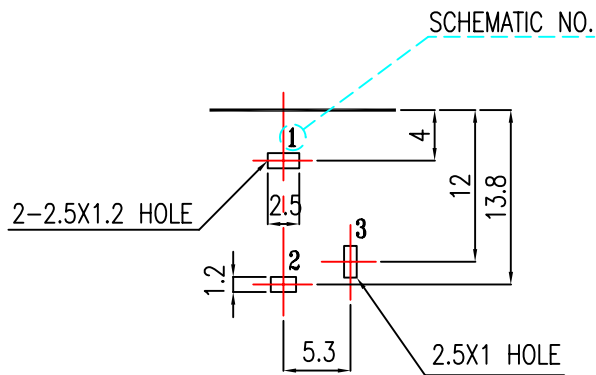
ALLOWANCE	MARK	DATE	DESCRIPTION OF REVISION	APPROVED
UNDER 3 ± 0.1	△	. .		
3 TO 6 ± 0.2	△	. .		
6 TO 18 ± 0.3	△	. .		
18 TO 50 ± 0.4	△	. .		
50 OVER ± 0.5	△	. .		



SCHEMATIC

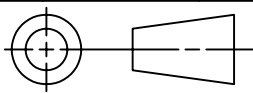


PCB-MTG  
(Solder Surface)



4	BREAK TER'	C2680 1/2H 0.4t	1	2P149	SN-PLATING
3	TIP SPRING	C5210 H 0.4t	1	2P148	SN-PLATING
2	CAP GROUND	C2600 1-0 0.4t	1	1P146	AU-PLATING
1	BASE	ACETAL	1	2M719	PURPLE

NO	PART NAME	MATERIAL	QUANTITY	PART NO	REMARKS
----	-----------	----------	----------	---------	---------



SCALE 2/1 DIMENSION m/m

DRAWING	DRAWING	CHECKED	APPROVED	NAME TITLE	PIN JACK BOARD(1P)
1.0				DRAWING NUMBER	JC010099EG
	2003.07.11	2003.07.11	2003.07.11		