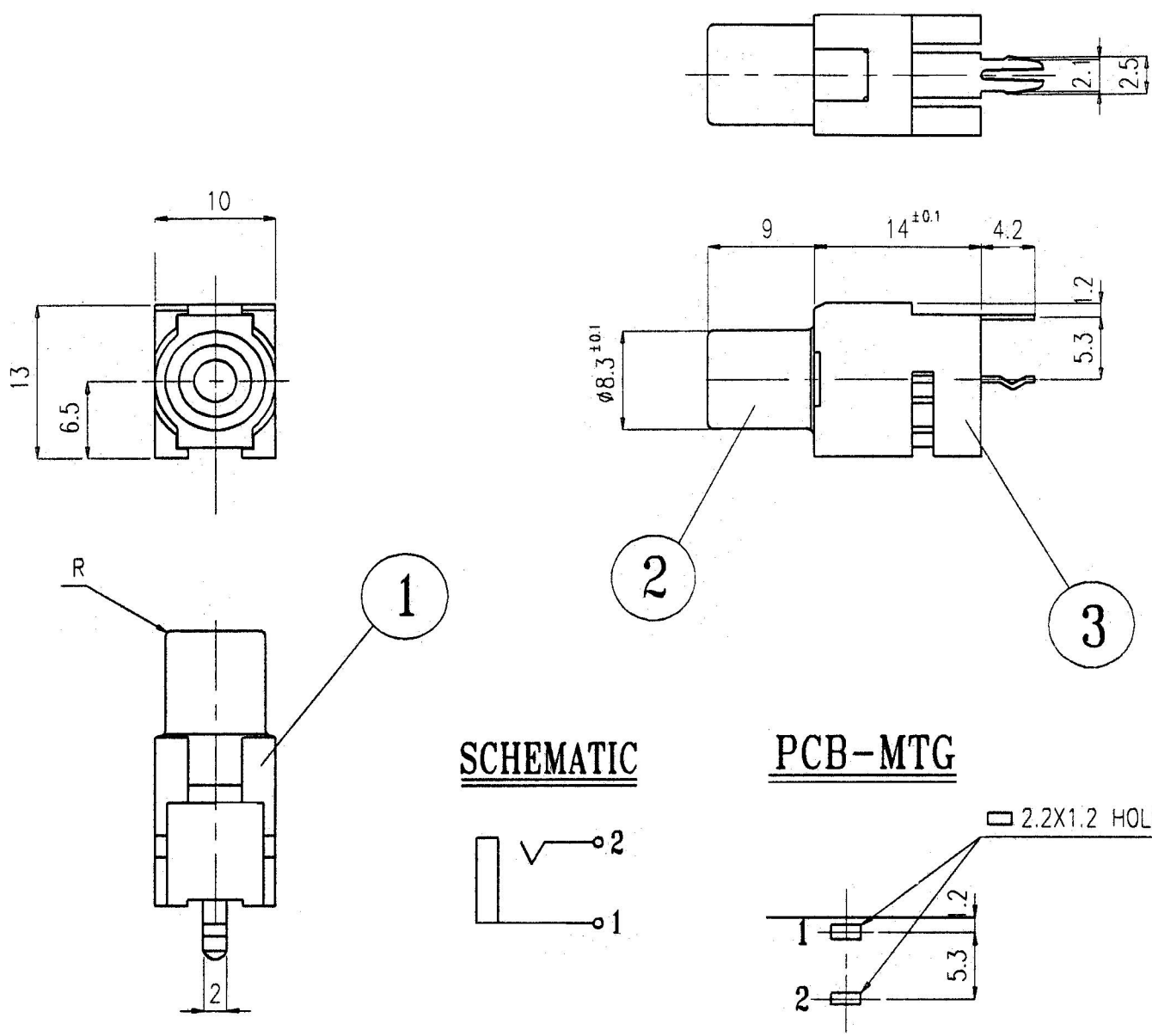
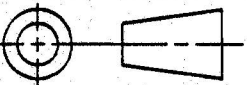
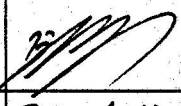


ALLOWANCE	MARK	DATE	DESCRIPTION OF REVISION	APPROVED
UNDER 6 ± 0.05	△	..		
6 TO 18 ± 0.1	△	..		
18 TO 32 ± 0.15	△	..		
32 TO 50 ± 0.2	△	..		
50 OVER ± 0.25	△	..		



3	PIN	C2680 1/2H	0.5t	1	2P328	NI -PLATING
2	CAP GROUND	C2600 1-0	0.35t	1	1P330	NI -PLATING
1	BASE	ACETAL		1	2M719	RED
NO	PART NAME	MATERIAL		QUANTITY	PART NO	REMARKS

VIMEX						SCALE	2/1	DIMENSION	m/m
REVISION	DRAWING	CHECKED	APPROVED	NAME TITLE		PIN JACK BOARD(1P)			
1.0	L.M.S			DRAWING NUMBER	JC010077				
	1997.6.10	1997.6.10	97.6.12						