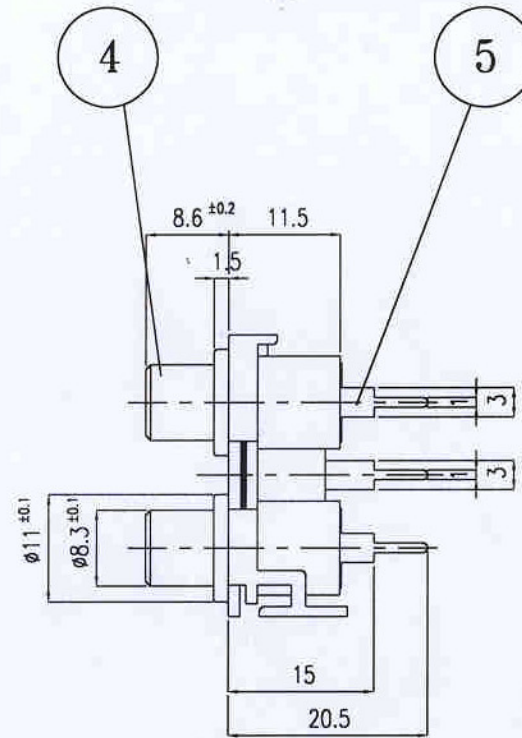
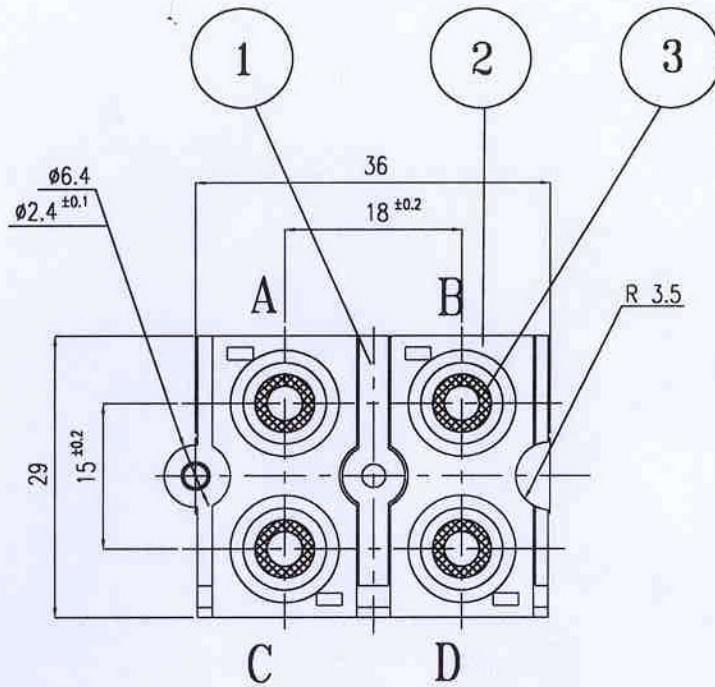
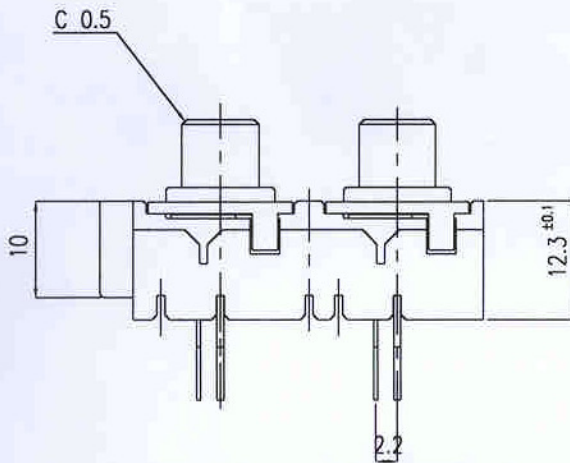
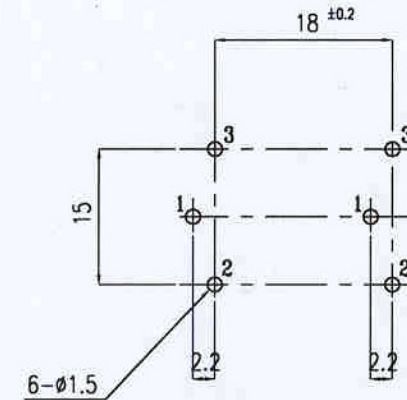


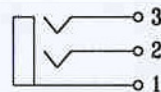
ALLOWANCE	MARK	DATE	DESCRIPTION OF REVISION	APPROVED
UNDER 8 ± 0.05	△	..		
8 TO 18 ± 0.1	△	..		
18 TO 32 ± 0.15	△	..		
32 TO 50 ± 0.2	△	..		
50 OVER ± 0.25	△	..		



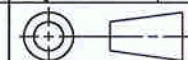
PCB-MTG



SCHEMATIC



5	PIN	C2680 H 0.7t	4	P019	-PLATING
4	CAP GROUND	C2600 1-0 0.4t	2	P088	-PLATING
3	WASHER	ABS 94HB	4	M616	A: B: C: D:
2	COVER	ABS 94HB	2	M760	BLACK
1	BASE	ABS 94HB	1	M762	NP
NO	PART NAME	MATERIAL	QUANTITY	PART NO	REMARKS



SCALE 2/1 DIMENSION m/m

DRAWING	CHECKED	JUDGING	APPROVED	NAME TITLE	PIN JACK BOARD(4P)
1993.12.27	1993.12.27	1993.12.27		DRAWING NUMBER	J4040048