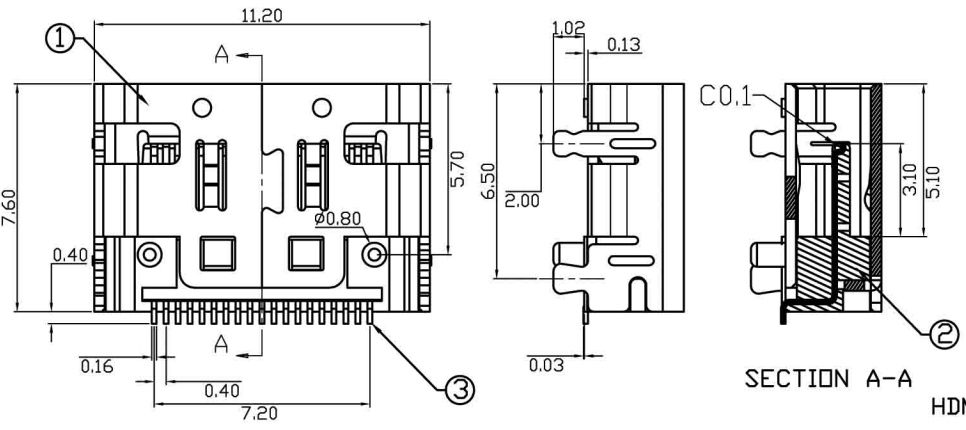


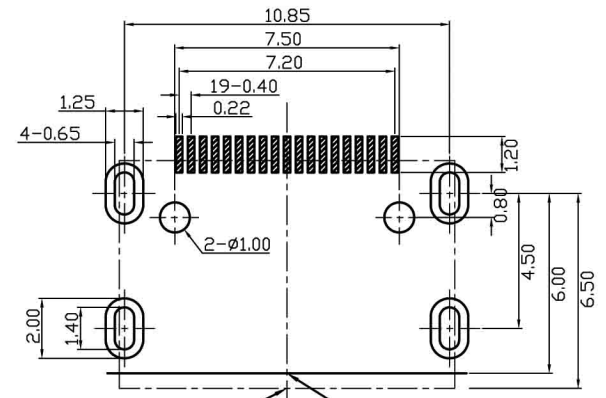
SECTION B-B



SECTION A-A

- Specification:
- ❖ Contact Resistance: Unmated Plug Socket, 30m Ohm. Maximum.
Mated Plug Socket, 60m Ohm. Maximum.
 - ❖ Insulation Resistance: 100M Ohm Min. At 500 VDC.
 - ❖ Rated Voltage And Current: AC 40V,0.5A Minimum.
 - ❖ Dielectric Withstanding Voltage: 500V AC (rms) For 1 Minute.
 - ❖ Insertion Force: Type C- 44.1N Maximum.
 - ❖ Extraction Force: Type C- 7N Minimum,25N Maximum.
 - ❖ Durability:
Life Test After: Type C-Insertion/Extraction Force: 7N Minimum.
 - ❖ Operating Temperature: -20°C ~ +85°C.

NO.	NAME	MATERIAL	FINISH	Q'TY	REMARK
1	FRONT SHELL	BRASS 0.35	GOLD PLATED	1	Gold 1 u'
2	BODY	LCP+GF30%	BLACK	1	
3	TERMINAL	PHOS.BRONZE T10.15	GOLD/TIN PLATED	19	Plated Gold, Ni40~60u' Tint120~200u'



HDMI RECEPTACLE, TYPE C PCB EDGE

COMPONENT SIDE (PCB LAYOUT)

REV.	DESCRIPTION	DATE	SIZE	REV.	FILE NAME:
1			A4		
			UNLESS OTHERWISE SPECIFIED TOLERANCE		
			ANG. ±5°		
			0. ±0.3		
			.0 ±0.25		
			.00 ±0.20		
			SCALE: AS SHOWN	UNIT: mm	DRAWN NAME: HDMI C Type Connector Solder Tail:SMT Type. Shell:T/H Type. PRODUCT NO. HDMI-G-SGAN-R01
			DRAWN Willis	2008/6/3	
			CHECKED / /	APPROVED / /	