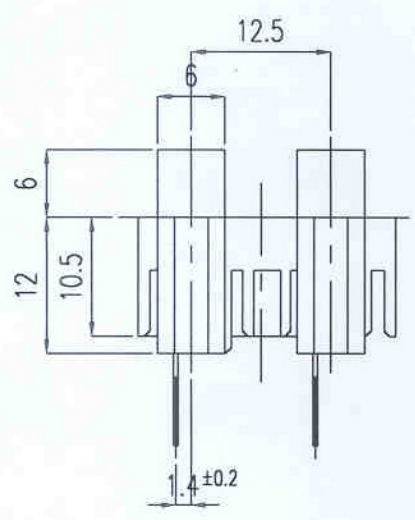
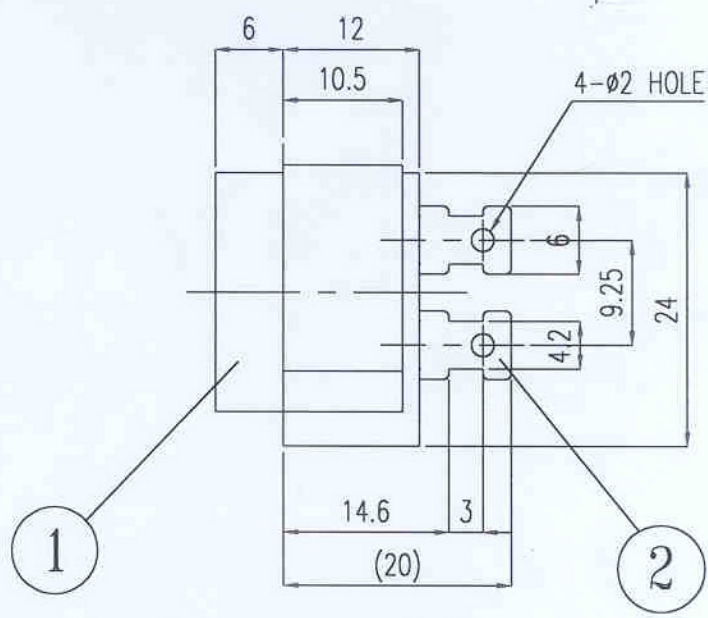
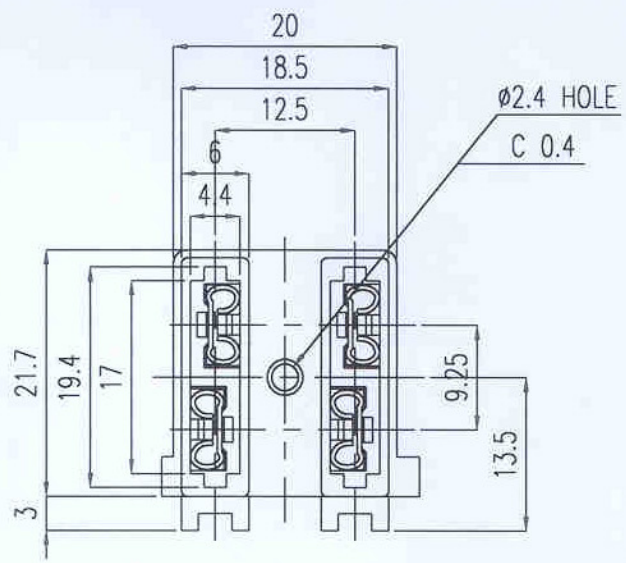
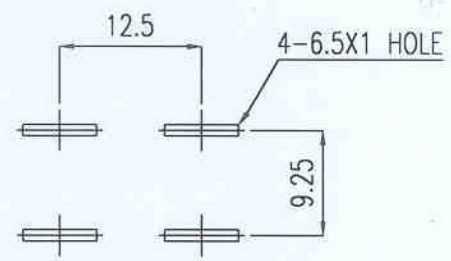


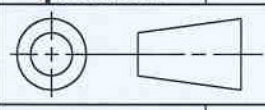
ALLOWANCE	MARK	DATE	DESCRIPTION OF REVISION	APPROVED
UNDER 6 ± 0.05	△	. .		
6 TO 18 ± 0.1	△	. .		
18 TO 32 ± 0.15	△	. .		
32 TO 50 ± 0.2	△	. .		
50 OVER ± 0.25	△	. .		



PCB-MTG



2	CONNECTOR	C2680 1/2H	0.4t	4	2P274	SN-PLATING
1	BASE	NYLON-66		1	2M843	BLACK
NO	PART NAME	MATERIAL		QUANTITY	PART NO	REMARKS



SCALE 2/1 DIMENSION m/m

REVISION	DRAWING	CHECKED	APPROVED	NAME TITLE	FUSE HOLDER(4P)
1.0				DRAWING NUMBER	F30440120P
	1998.5.11	1998.5.11	1998.5.11		