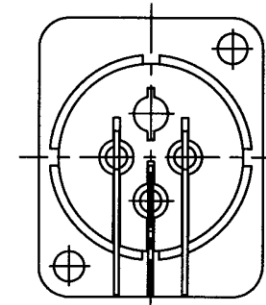
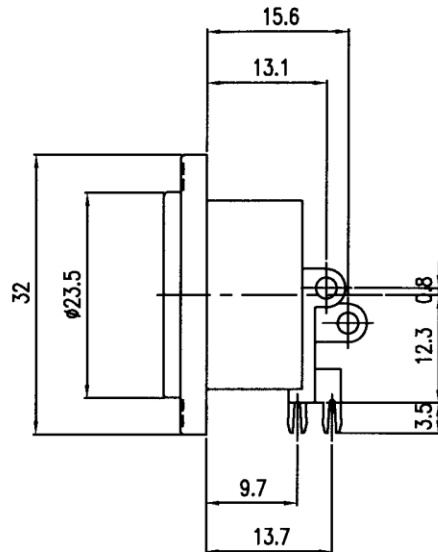
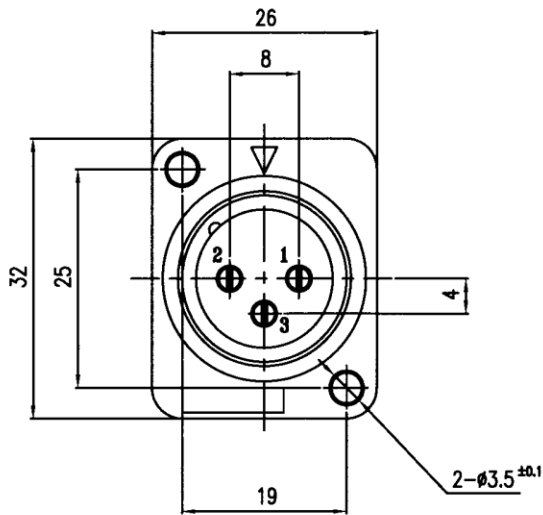
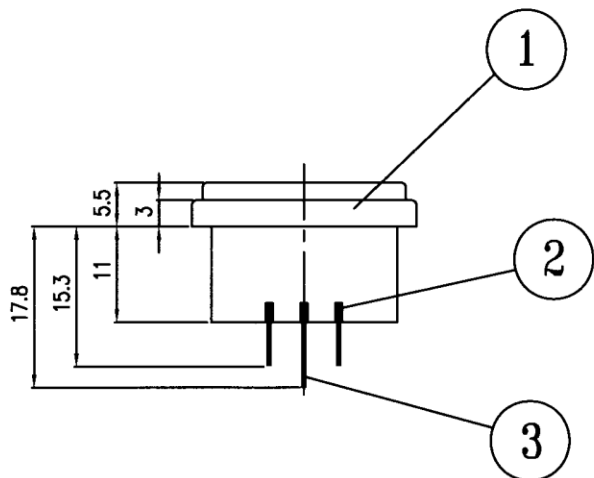
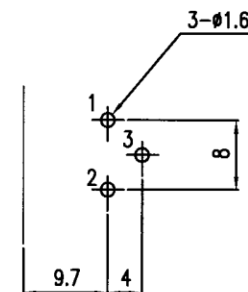
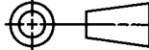


| ALLOWANCE | MARK | DATE | DESCRIPTION OF REVISION | APPROVED |
|-----------|-------|------|-------------------------|----------|
| UNDER 6 | ±0.05 | △ | | |
| 6 TO 18 | ±0.1 | △ | | |
| 18 TO 32 | ±0.15 | △ | | |
| 32 TO 50 | ±0.2 | △ | | |
| 50 OVER | ±0.25 | △ | | |



PCB MTG



| 3 | PIN-L | C7701 H | 0.6t | 1 | 1P055 | Ni-PLATING | |
|---|-----------|----------|----------|---|---------|---------------|---|
| 2 | PIN-S | C7701 H | 0.6t | 2 | 1P056 | Ni-PLATING | |
| 1 | BASE | P.B.T | V-0 | 1 | 2M7591 | BLACK | |
| NO | PART NAME | MATERIAL | | QUANTITY | PART NO | REMARKS | |
| VIMEX INTERNATIONAL CORPORATION | | | |  | | SCALE 2/1 | DIMENSION ^{mm} / _{IN} |
| REVISION | DRAWING | CHECKED | APPROVED | NAME TITLE | | MIC CONNECTOR | |
| 1.0 | | | | DRAWING NUMBER | | E203A0020N | |