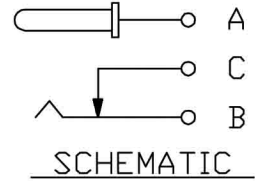
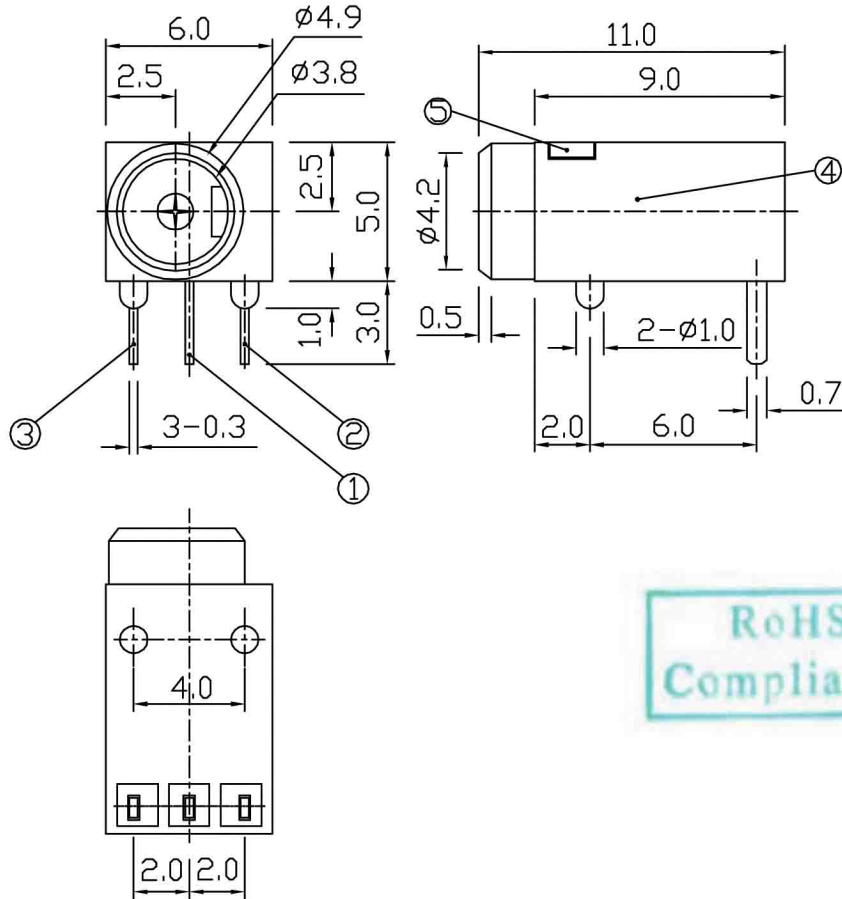
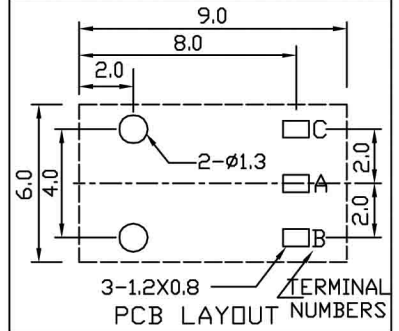


MATING PLUG

CENTER PIN DIAMETER
Ø1.0mm



SCHEMATIC



RoHS
Compliance

5	COVER BORED	P A	1						
3	TERMINAL	BRASS	1	Ag PLATED	4	FRAME	P A	1	
1	TERMINAL	BRASS	1	Ag PLATED	2	TERMINAL	P B S	1 Ag PLATED	
NO	PART	MATERIAL	QTY	REMARKS	NO	PART	MATERIAL	QTY	REMARKS

ISSUED	SPECIFICATION	TITLE: DC POWER JACK						
	RATING: DC 30V 0.3A	MODEL NO: SCD-413						
	CONTACT RESISTANCE: 50mΩ MAX	UNIT: MM	DWN	白竟成				
	INSULATION RESISTANCE: 100MΩ AT 500V DC	SCALE: 4:1	CHK'D	汪志勇				
	WITHSTAND VOLTAGE: AC 500V for 1 minute	TOLERANCE: ±0.2	APP'D	万运和				
	OPERATION FORCE: REFER ATTACH SPECIFICATION							
	SWITCHING LIFE: 5k cycle min							

BY: 万运和
DATE: 24-OCT-2006



DRWG NO:
VERSION: 2.0