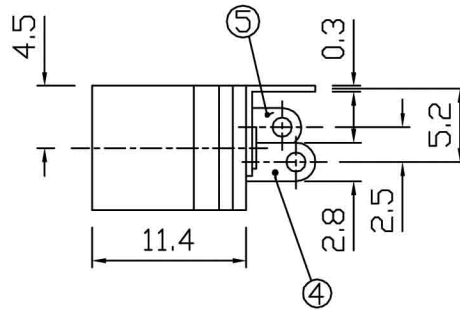
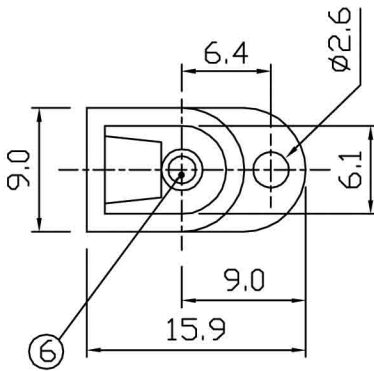
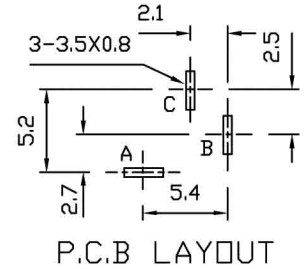
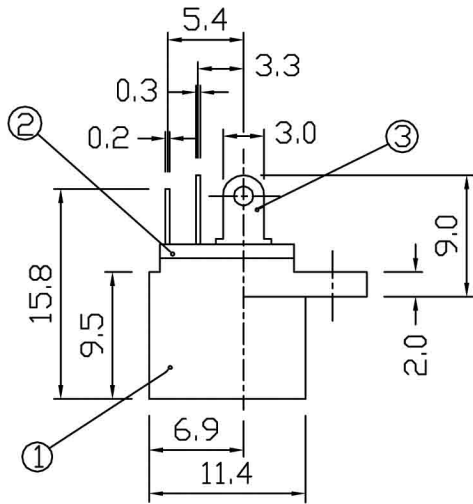


SCHEMATIC

CENTER PIN DIAMETER
 $\phi 2.0\text{mm}/\phi 2.5\text{mm}$



6	CENTER PIN	COPPER ALLOY	1	Ni PLATED
5	MOVABLE TERMINAL	S U S	1	Ag PLATED
4	TERMINAL	BRASS	1	Ag PLATED
3	FIXED TERMINAL	BRASS	1	Ag PLATED
2	TERMINAL BASE	PHENOL RESIN	1	NATURAL
1	FRAME	P O M	1	
NO	PART	MATERIAL	QTY	REMARKS

ISSUED	SPECIFICATION	TITLE: DC POWER JACK		
	RATING: DC 30V 0.3A	MODEL NO: SCD-062		
	CONTACT RESISTANCE: 50mΩ MAX	UNIT: MM	DWN	白竟成
	INSULATION RESISTANCE: 100MΩ AT 500V DC	SCALE: 2:1	CHK'D	汪志勇
	WITHSTAND VOLTAGE: AC 500V for 1 minute	TOLERANCE: ±0.2	APPD.	万运和
	OPERATION FORCE: REFER ATTACH SPECIFICATION			
	SWITCHING LIFE: 5k cycles min			
BY: 万运和		DRWG NO:		
DATE: 21-OCT-2006		VERSION: 3.0		