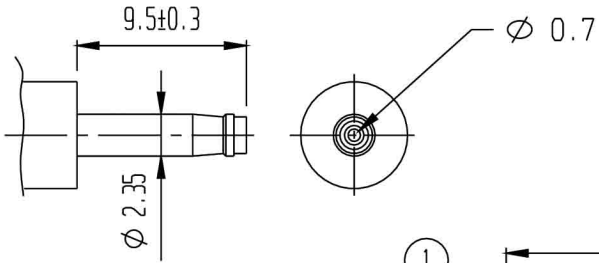
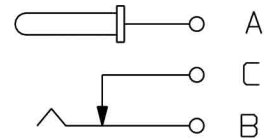


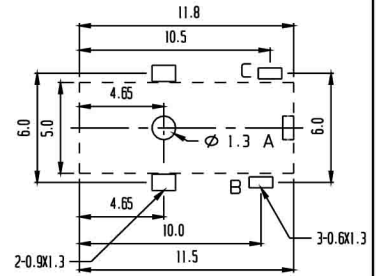
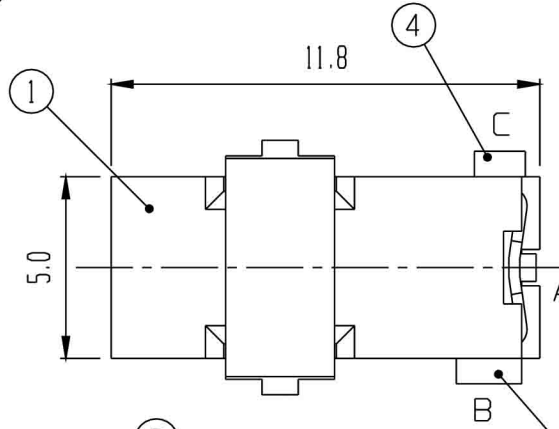
CENTER PIN DIAMETER: $\phi 0.65\text{mm}$



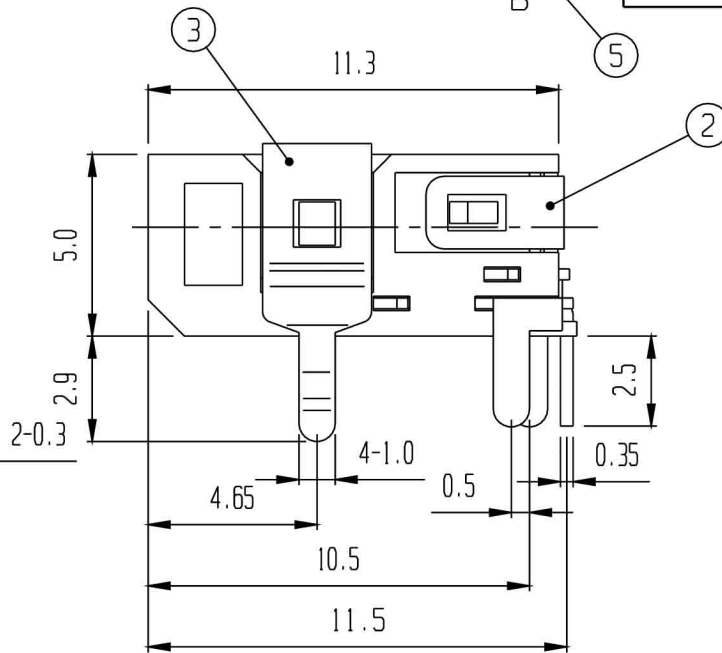
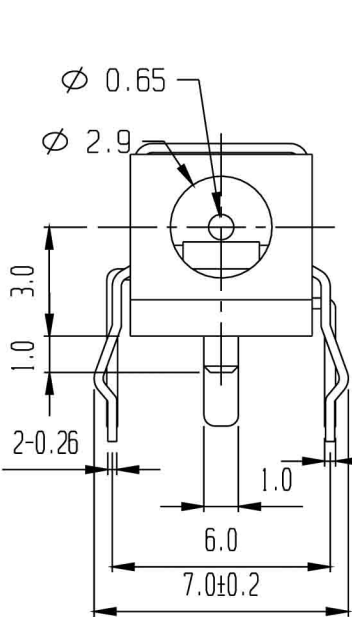
RoHS
Compliance



SCHEMATIC



P.C.B. LAYOUT



5	TERMINAL	CuBe	1	Ag PLATED	6	CENTER PIN	BRASS	1	Ag PLATED
3	TERMINAL	BRASS	1	Sn PLATED	4	TERMINAL	BRASS	1	Ag PLATED
1	FRAME	P B T	1		2	COVER BOARD	BRASS	1	Ni PLATED
NO.	PART	MATERIAL	QTY	REMARKS	NO.	PART	MATERIAL	QTY	REMARKS

ISSUED

SPECIFICATION

TITLE: DC POWER JACK

RATING: DC 30V 0.3A

CONTACT RESISTANCE: 50mΩ max.

INSULATION RESISTANCE: 100MΩ AT 500V DC

WITHSTAND VOLTAGE: AC 250V for 1 minute

OPERATION FORCE: REFER ATTACH SPECIFICATION

SWITCHING LIFE: 5,000 cycles min.

MODEL NO: SCD-038

TOLERANCE

UNIT: MM

DWN.

UP TO 1.0:±0.1

SCALE: 5:1

1.0 TO 10.0:±0.2

VERSION: 01

OVER 10.0:±0.3

DRWG NO:

CHK'D.

APPD.

BY:

DATE: 24-JUN-2003

VIMEX
INTERNATIONAL CORPORATION

