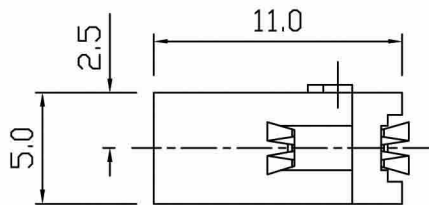
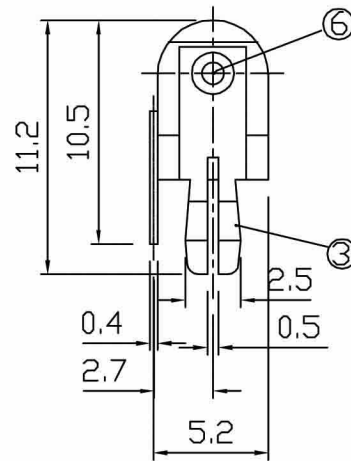
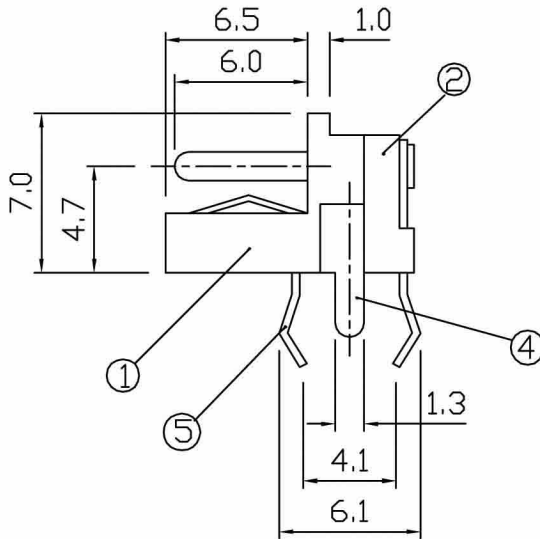
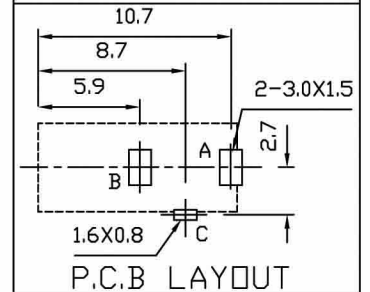
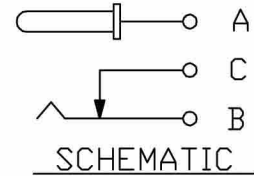


CENTER PIN DIAMETER
 $\varnothing 1.0\text{mm} / \varnothing 1.3\text{mm}$



RoHS
Compliance

6	CENTER PIN	COPPER ALLOY	1	NI PLATED
5	SPRING PLATE	S U S	1	Ag PLATED
4	CONTACT PLATE	BRASS	1	Ag PLATED
3	FIXED PLATE	BRASS	1	Ag PLATED
2	TERMINAL BASE	P □ M	1	
1	FRAME	P □ M	1	

NO	PART	MATERIAL	QTY	REMARKS
----	------	----------	-----	---------

ISSUED	SPECIFICATION	TITLE: DC POWER JACK		
	RATING: DC 30V 0.3A	MODEL NO: SCD-025-2-K		
	CONTACT RESISTANCE: 50mΩ MAX	UNIT: MM	DWN	
	INSULATION RESISTANCE: 100MΩ AT 500V DC	SCALE: 3:1	CHK'D	
	WITHSTAND VOLTAGE: AC 500V for 1 minute	TOLERANCE: ±0,2	APPD.	
	OPERATION FORCE: REFER ATTACH SPECIFICATION			
	SWITCHING LIFE: 5k cycles min			

BY:
 DATE: 20-OCT-2006



DRWG NO:
 VERSION: 2.0