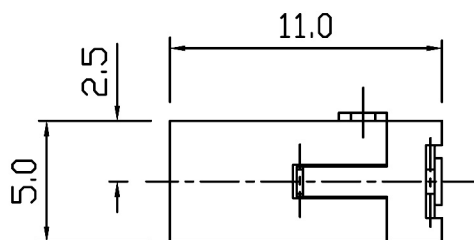
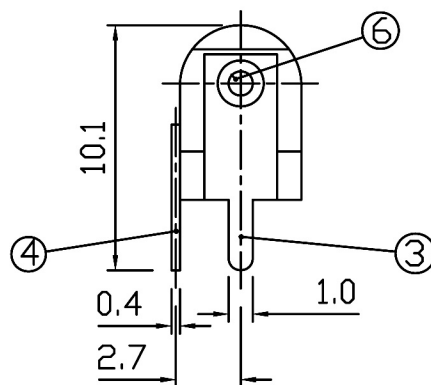
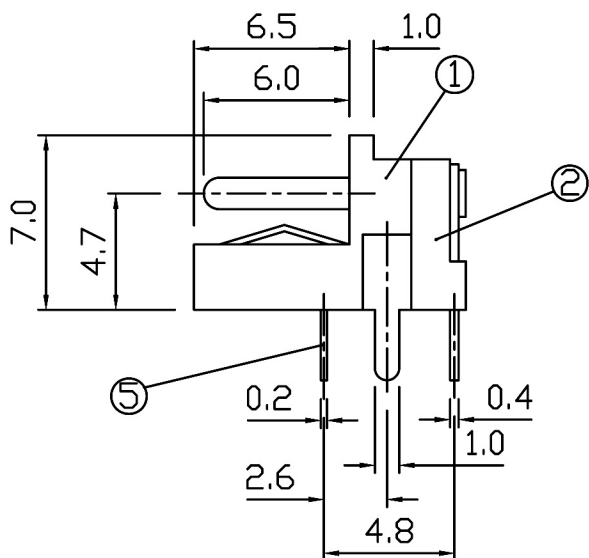
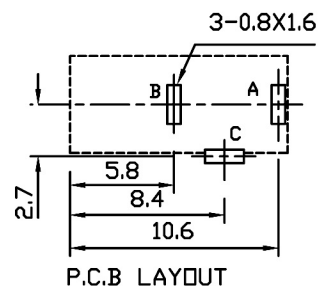
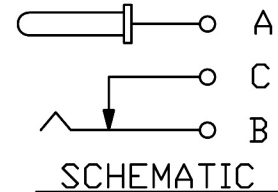


RoHS Compliance

CENTER PIN DIAMETER  
 $\phi 1.3$



6	CENTER PIN	COPPER ALLOY	1	Ni PLATED
5	SPRING PLATE	S U S	1	Ag PLATED
4	CONTACT PLATE	BRASS	1	Ag PLATED
3	FIXED PLATE	BRASS	1	Ag PLATED
2	TERMINAL BASE	P O M	1	
1	FRAME	P O M	1	

NO	PART	MATERIAL	QTY	REMARKS
----	------	----------	-----	---------

ISSUED	SPECIFICATION	TITLE: SCDC POWER JACK		
	RATING: DC 30V 0.3A	MODEL NO: SCD-025 ( $\phi 1.3$ )		
	CONTACT RESISTANCE: 50m $\Omega$ MAX	UNIT: MM	DWN	白竟成
	INSULATION RESISTANCE: 100M $\Omega$ AT 500V DC	SCALE: 3:1	CHK'D	汪志勇
	WITHSTAND VOLTAGE: AC 500V for 1 minute	TOLERANCE: $\pm 0.2$	APPD.	万运和
	OPERATION FORCE: REFER ATTACH SPECIFICATION			
	SWITCHING LIFE: 5k cycles min			

BY: 万运和  
 DATE: 24-JUL-2009



DRWG NO:  
 VERSION: 1.0