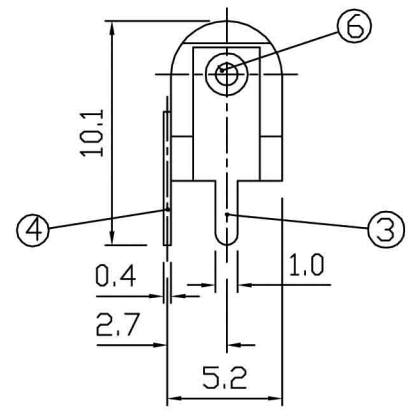
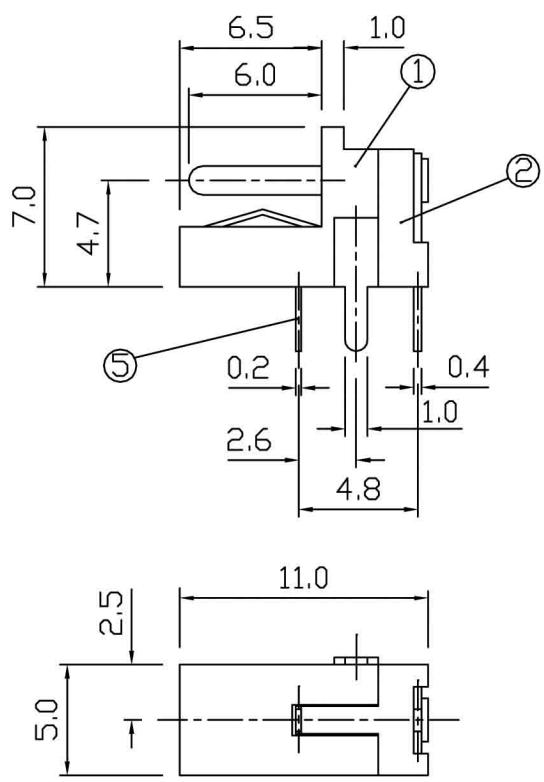
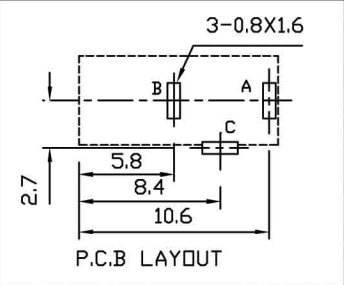
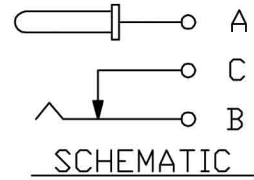


CENTER PIN DIAMETER

ø1.3mm/ø1.0mm



RoHS Compliance

6	CENTER PIN	COPPER ALLOY	1	Ni PLATED
5	SPRING PLATE	S U S	1	Ag PLATED
4	CONTACT PLATE	BRASS	1	Ag PLATED
3	FIXED PLATE	BRASS	1	Ag PLATED
2	TERMINAL BASE	P □ M	1	
1	FRAME	P □ M	1	

NO	PART	MATERIAL	QTY	REMARKS
ISSUED	SPECIFICATION		TITLE: DC POWER JACK	
	RATING: DC 30V 0.3A		MODEL NO: SCD-025	
	CONTACT RESISTANCE: 50mΩ MAX		UNIT: MM	DWN 白竟成
	INSULATION RESISTANCE: 100MΩ AT 500V DC		SCALE: 3:1	CHK'D 汪志勇
	WITHSTAND VOLTAGE: AC 500V for 1 minute		TOLERANCE: ±0.2	APPD. 万运和
	OPERATION FORCE: REFER ATTACH SPECIFICATION			
	SWITCHING LIFE: 5k cycles min			
BY: 万运和				DRWG NO:
DATE: 20-OCT-2006				VERSION: 3.0