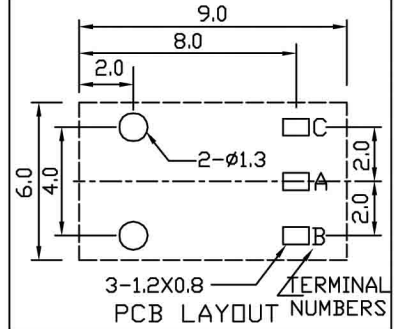
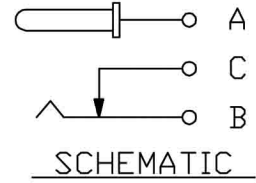
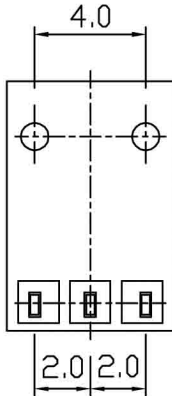
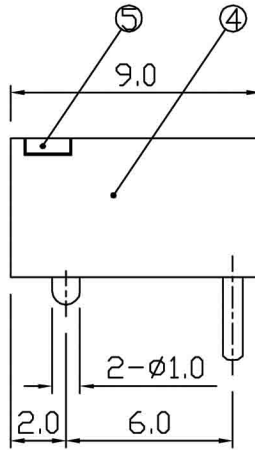
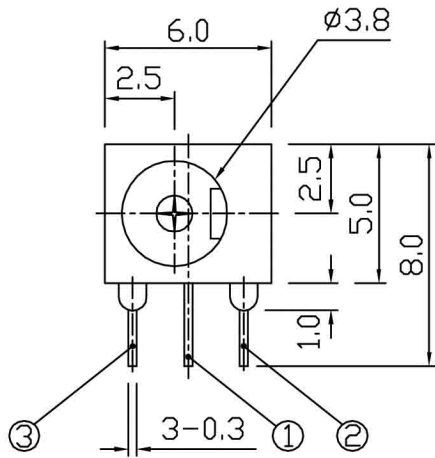


CENTER PIN DIAMETER  
 $\phi 1.3\text{mm}/\phi 1.0\text{mm}$



RoHS  
 Compliance

5	COVER BORED	P A	1						
3	TERMINAL	BRASS	1	Ag PLATED	4	FRAME	P A	1	
1	TERMINAL	BRASS	1	Ag PLATED	2	TERMINAL	P B S	1	
NO	PART	MATERIAL	QTY	REMARKS	NO	PART	MATERIAL	QTY	REMARKS

ISSUED	SPECIFICATION	TITLE: DC POWER JACK		
	RATING: DC 30V 0.3A	MODEL NO: SCD-024		
	CONTACT RESISTANCE: 50mΩ MAX	UNIT: MM	DWN	白竟成
	INSULATION RESISTANCE: 100MΩ AT 500V DC	SCALE: 4:1	CHK'D	汪志勇
	WITHSTAND VOLTAGE: AC 500V for 1 minute	TOLERANCE: ±0.2	APP'D	万运和
	OPERATION FORCE: REFER ATTACH SPECIFICATION			
	SWITCHING LIFE: 5k cycles min			

BY: 万运和  
 DATE: 28-OCT-2006



DRWG NO:  
 VERSION: 2.0