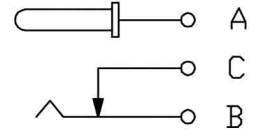
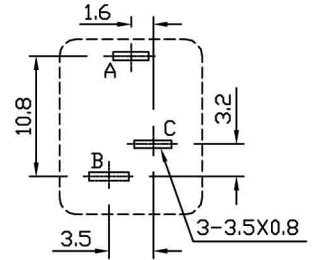




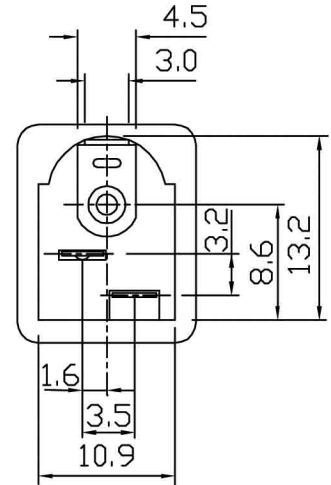
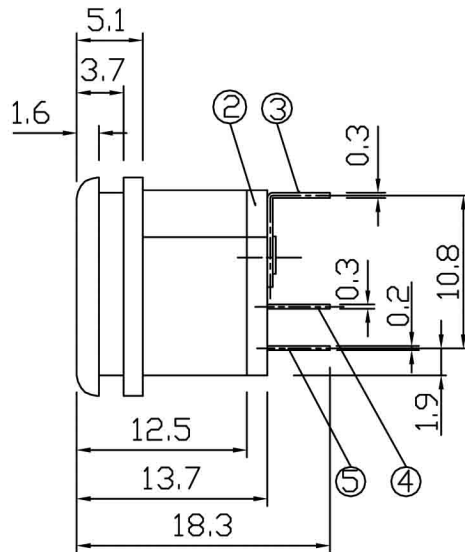
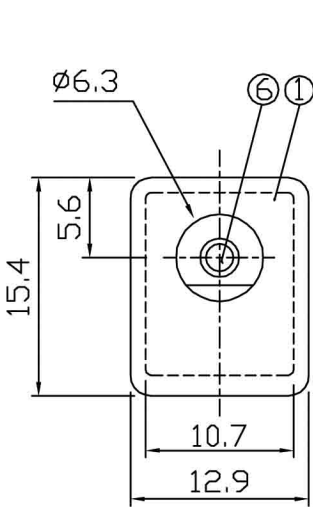
CENTER PIN DIAMETER
 $\phi 2.5\text{mm} / \phi 2.0\text{mm}$



SCHEMATIC



P.C.B LAYOUT



| | | | | |
|---|---------------|--------------|---|-----------|
| 6 | CENTER PIN | COPPER ALLOY | 1 | Ni PLATED |
| 5 | SPRING PLATE | S U S | 1 | Ag PLATED |
| 4 | CONTACT PLATE | BRASS | 1 | Ag PLATED |
| 3 | FIXED PLATE | BRASS | 1 | Ag PLATED |
| 2 | TERMINAL BASE | PHENOL RESIN | 1 | NATURAL |
| 1 | FRAME | P C | 1 | |

| NO | PART | MATERIAL | QTY | REMARKS |
|-------------------|---|----------|----------------------|--------------|
| ISSUED | SPECIFICATION | | TITLE: DC POWER JACK | |
| | RATING: DC 30V 0.3A | | MODEL NO: SCD-022 | |
| | CONTACT RESISTANCE: 50mΩ MAX | | UNIT: MM | DWN 白竟成 |
| | INSULATION RESISTANCE: 100MΩ AT 500V DC | | SCALE: 2:1 | CHK'D 汪志勇 |
| | WITHSTAND VOLTAGE: AC 500V for 1 minute | | TOLERANCE: ±0.2 | APPD. 万运和 |
| | OPERATION FORCE: REFER ATTACH SPECIFICATION | | | |
| | SWITCHING LIFE: 5k cycles min | | | |
| BY: 万运和 | | | | DRWG NO: |
| DATE: 24-OCT-2006 | | | | VERSION: 3.0 |