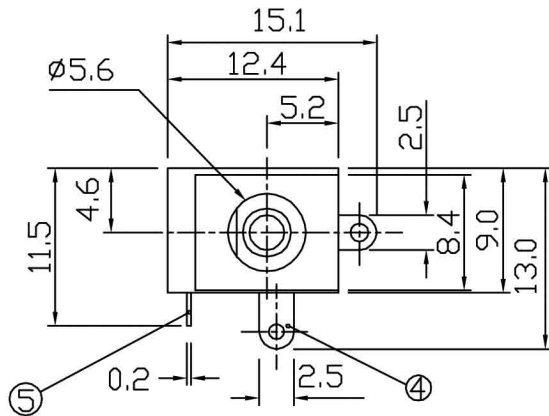
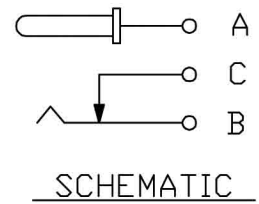
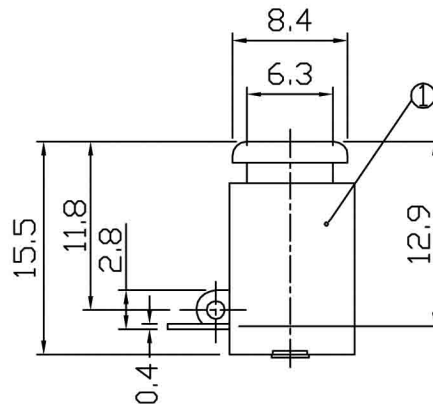
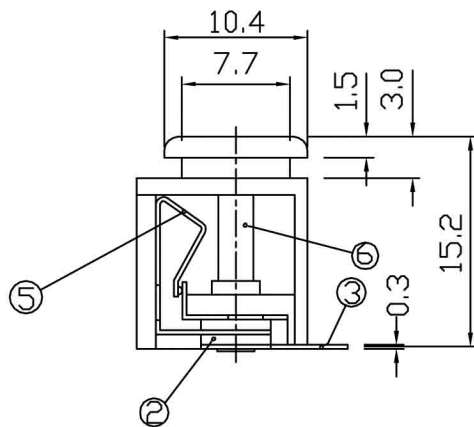


RoHS
Compliance



CENTER PIN DIAMETER
ø2.5mm/ø2.0mm



6	CENTER PIN	COPPER ALLOY	1	NI PLATED
5	MOVABLE TERMINAL	S U S	1	Ag PLATED
4	PIN TERMINAL	BRASS	1	Ag PLATED
3	FIXED TERMINAL	BRASS	1	Ag PLATED
2	TERMINAL BASE	PHENOL RESIN	2	
1	FRAME	A B S	1	
NO	PART	MATERIAL	QTY	REMARKS

ISSUED	SPECIFICATION	TITLE: DC POWER JACK		
	RATING: DC 30V 0.3A	MODEL NO: SCD-018		
	CONTACT RESISTANCE: 50mΩ MAX	UNIT: MM	DWN	白竟成
	INSULATION RESISTANCE: 100MΩ AT 500V DC			
	WITHSTAND VOLTAGE: AC 500V for 1 minute	SCALE: 2:1	CHK'D	汪志勇
	OPERATION FORCE: REFER ATTACH SPECIFICATION	TOLERANCE: ±0.2	APPD.	万运和
	SWITCHING LIFE: 5k cycles min			
BY: 万运和			DRWG NO:	
DATE: 20-OCT-2006			VERSION: 2.0	