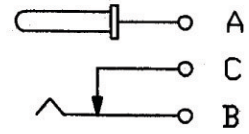
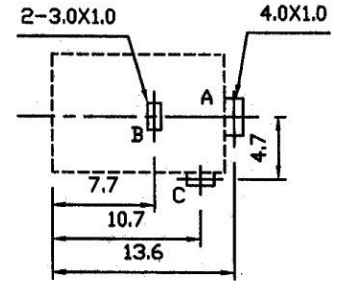
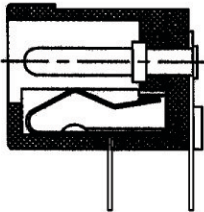


MATING PLUG

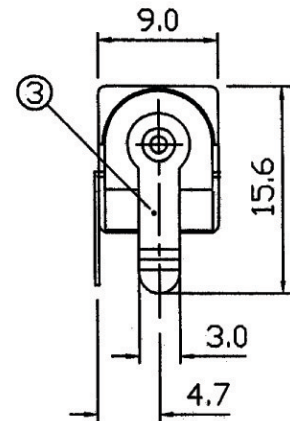
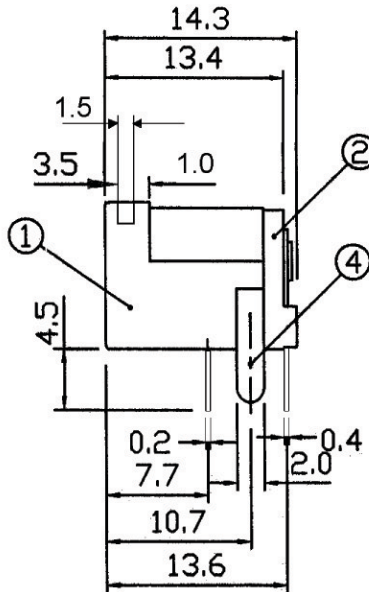
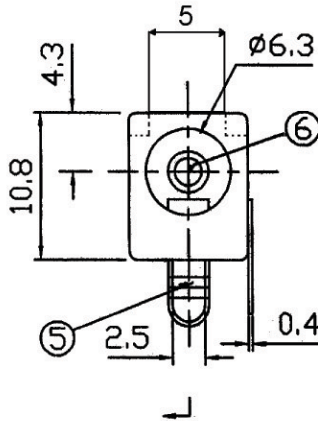
CENTER PIN DIAMETER  
2.0mm/2.5mm



SCHEMATIC



P.C.B LAYOUT



6	CENTER PIN	BRASS	1	NI PLATED
5	SPRING PLATE	S U S	1	Ag PLATED
4	CONTACT PLATE	BRASS	1	Ag PLATED
3	FIXED PLATE	BRASS	1	Ag PLATED
2	TERMINAL BASE	P B T	1	
1	FRAME	P B T	1	

NO	PART	MATERIAL	QTY	REMARKS
ISSUED	SPECIFICATION		TITLE: DC POWER JACK	
	RATING: DC 30V 0.3A		MODEL NO: SCD-014-1/A	
	CONTACT RESISTANCE: 50mΩ MAX		UNIT: MM	DWN 汪志勇
	INSULATION RESISTANCE: 100MΩ AT 500V DC		SCALE: 2:1	CHK'D 张桂林
	WITHSTAND VOLTAGE: AC 500V for 1 minute		TOLERANCE: ±0.2	APP'D 万运和
	OPERATION FORCE: REFER ATTACH SPECIFICATION			
	SWITCHING LIFE: 5K cycles min			

