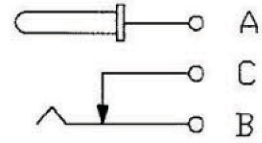
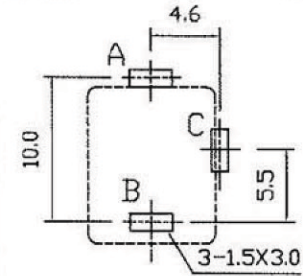


MATING PLUG

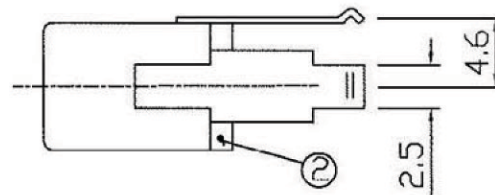
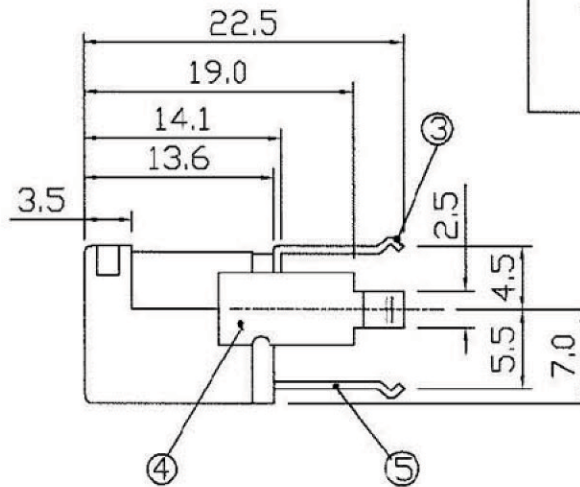
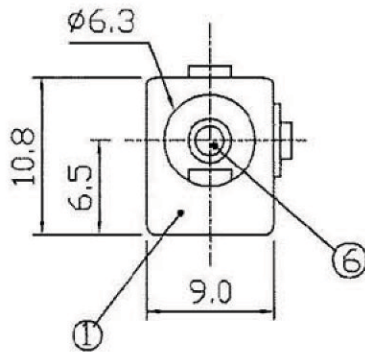


SCHEMATIC

CENTER PIN DIAMETER  
2.0mm/2.5mm



P.C.B LAYOUT



6	CENTER PIN	BRASS	1	Ni PLATED
5	MOVABLE TERMINAL	S U S	1	Ag PLATED
4	PIN TERMINAL	BRASS	1	Ag PLATED
3	FIXED TERMINAL	BRASS	1	Ag PLATED
2	TERMINAL BASE	P C	1	
1	FRAME	P C	1	

NO	PART	MATERIAL	QTY	REMARKS
----	------	----------	-----	---------

ISSUED	SPECIFICATION	TITLE: DC POWER JACK		
	RATING: DC 30V 0.3A	MODEL NO: SCD-013-U		
	CONTACT RESISTANCE: 50mΩ MAX	UNIT: MM	DWN	
	INSULATION RESISTANCE: 100MΩ AT 500V DC	SCALE: 2:1	CHK'D	
	WITHSTAND VOLTAGE: AC 500V for 1 minute	TOLERANCE: ±0.2	APPD.	
	OPERATION FORCE: REFER ATTACH SPECIFICATION			
	SWITCHING LIFE: 5k cycles min			

By: \_\_\_\_\_  
DATE: 16-DEC-2004



ROHS Compliant  
VERSION: 1