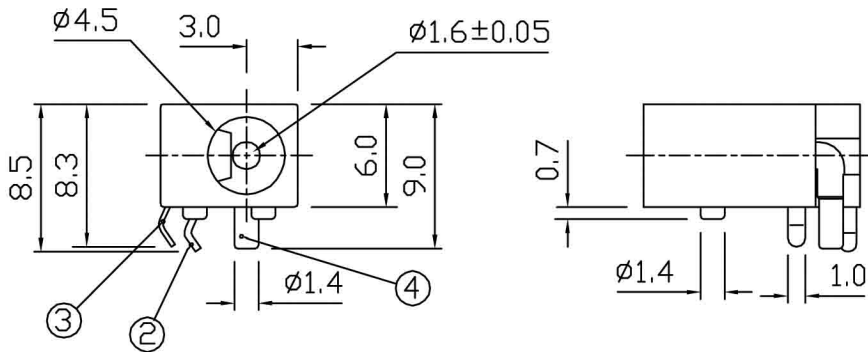
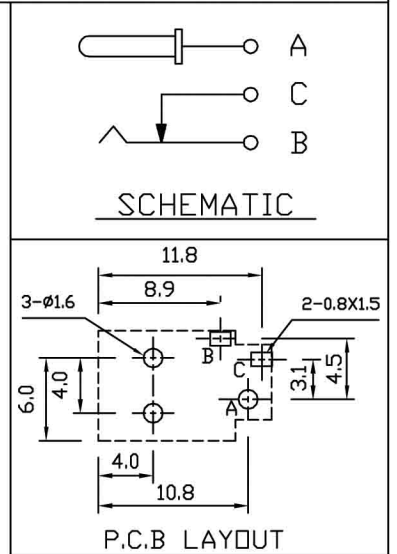
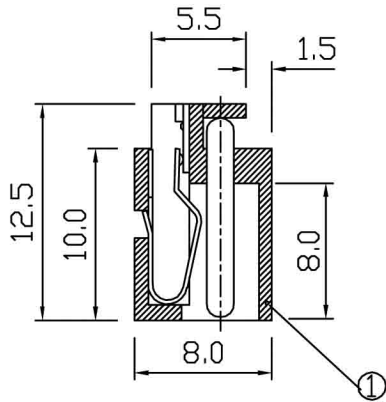


RoHS  
Compliance



4	CENTER PIN	COPPER ALLOY	1	Ag PLATED
3	SPRING PLATE	CuBe	1	Ag PLATED
2	FIXED PLATE	BRASS	1	Ag PLATED
1	FRAME	P C	1	
NO	PART	MATERIAL	QTY	REMARKS

ISSUED	SPECIFICATION	TITLE: DC POWER JACK		
	RATING: DC 30V 0.3A	MODEL NO: SCD-011		
	CONTACT RESISTANCE: 50mΩ MAX	UNIT: MM	DWN	白竟成
	INSULATION RESISTANCE: 100MΩ AT 500V DC	SCALE: 2.5:1	CHK'D	汪志勇
	WITHSTAND VOLTAGE: AC 500V for 1 minute	TOLERANCE: ±0.2	APPD.	万运和
	OPERATION FORCE: REFER ATTACH SPECIFICATION			
	SWITCHING LIFE: 5k cycles min			

BY: 万运和  
DATE: 20-OCT-2006



DRWG NO:  
VERSION: 3.0