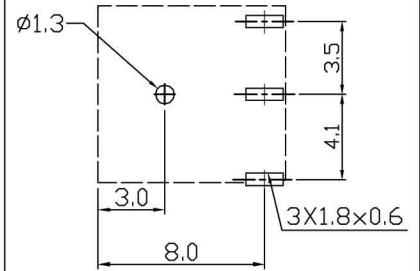
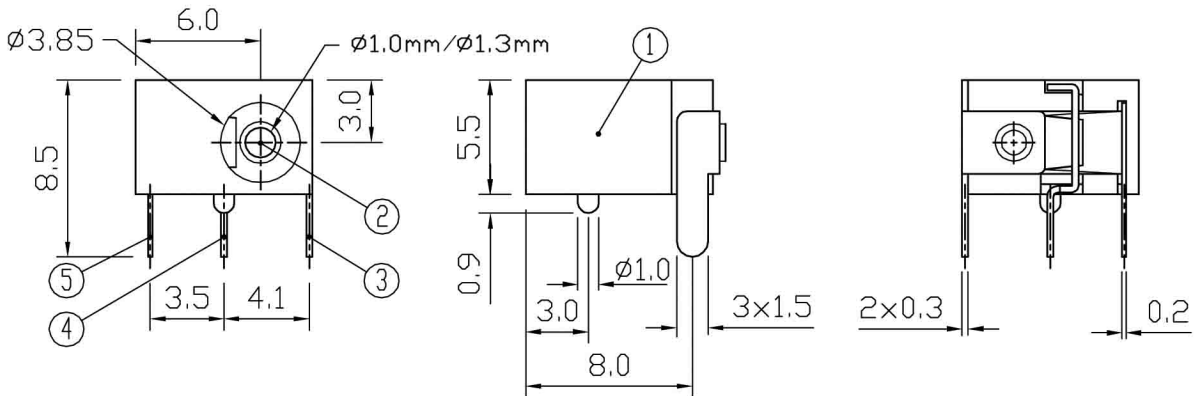


CENTER PIN DIAMETER
 $\phi 1.0\text{mm}/\phi 1.3\text{mm}$



P.C.B LAYOUT



5	SPRING PLATE	S U S	1	Ag PLATED
4	CONTACT	BRASS	1	Ag PLATED
3	CONTACT	BRASS	1	Ag PLATED
2	CENTER PIN	COPPER ALLOY	1	Ni PLATED
1	FRAME	P B T	1	
NO	PART	MATERIAL	QTY	REMARKS

ISSUED	SPECIFICATION	TITLE: DC POWER JACK		
	RATING: DC 30V 0.3A	MODEL NO: SCD-009		
	CONTACT RESISTANCE: 50mΩ MAX	UNIT: MM	DWN	白竟成
	INSULATION RESISTANCE: 100MΩ AT 500V DC	SCALE: 3:1	CHK'D	汪志勇
	WITHSTAND VOLTAGE: AC 500V for 1 minute	TOLERANCE: ±0,2	APPD.	万运和
	OPERATION FORCE: REFER ATTACH SPECIFICATION			
	SWITCHING LIFE: 5k cycles min			
BY: 万运和				DRWG NO:
DATE: 28-JUN-2007				VERSION: 1.0