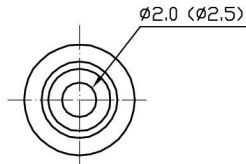
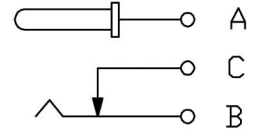


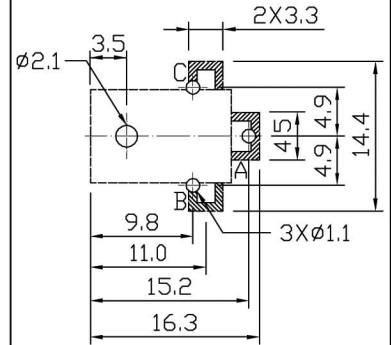
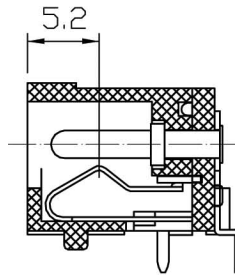
MATING PLUG



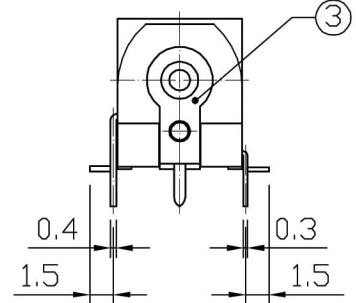
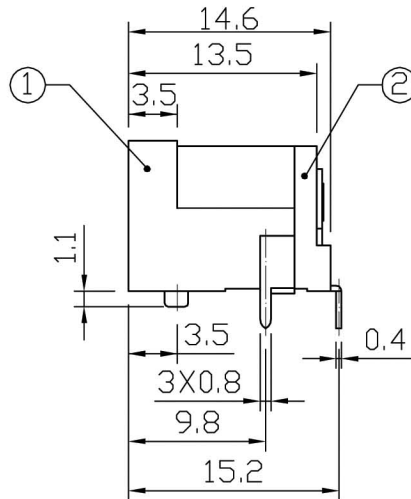
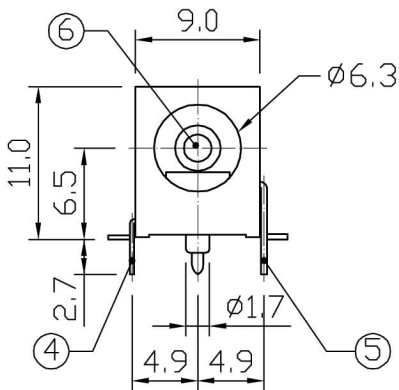
CENTER PIN DIAMETER  
Ø2.0mm/Ø2.5mm



SCHEMATIC



P.C.B LAYOUT



6	CENTER PIN	COPPER ALLOY	1	NI PLATED
5	CONTACT PLATE	BRASS	1	Ag PLATED
4	SPRING PLATE	PBS-SH	1	Ag PLATED
3	FIXED PLATE	BRASS	1	Ag PLATED
2	TERMINAL BASE	PA46	1	
1	FRAME	PA46	1	
NO	PART	MATERIAL	QTY	REMARKS

ISSUED	SPECIFICATION	TITLE: DC POWER SMD		
	RATING: DC 24V 3.5A	MODEL NO: SCJ-926-SMD		
	CONTACT RESISTANCE: 50mΩ MAX	UNIT: MM	DWN	白竟成
	INSULATION RESISTANCE: 100MΩ AT 500V DC	SCALE: 2:1	CHK'D	汪志勇
	WITHSTAND VOLTAGE: AC 500V for 1 minute	TOLERANCE: ±0.2	APPD.	万运和
	OPERATION FORCE: REFER ATTACH SPECIFICATION			
	SWITCHING LIFE: 5K cycles min			
BY: 万运和		DRWG NO:		
DATE: 31-NOV-2007		VERSION: 2.0		

