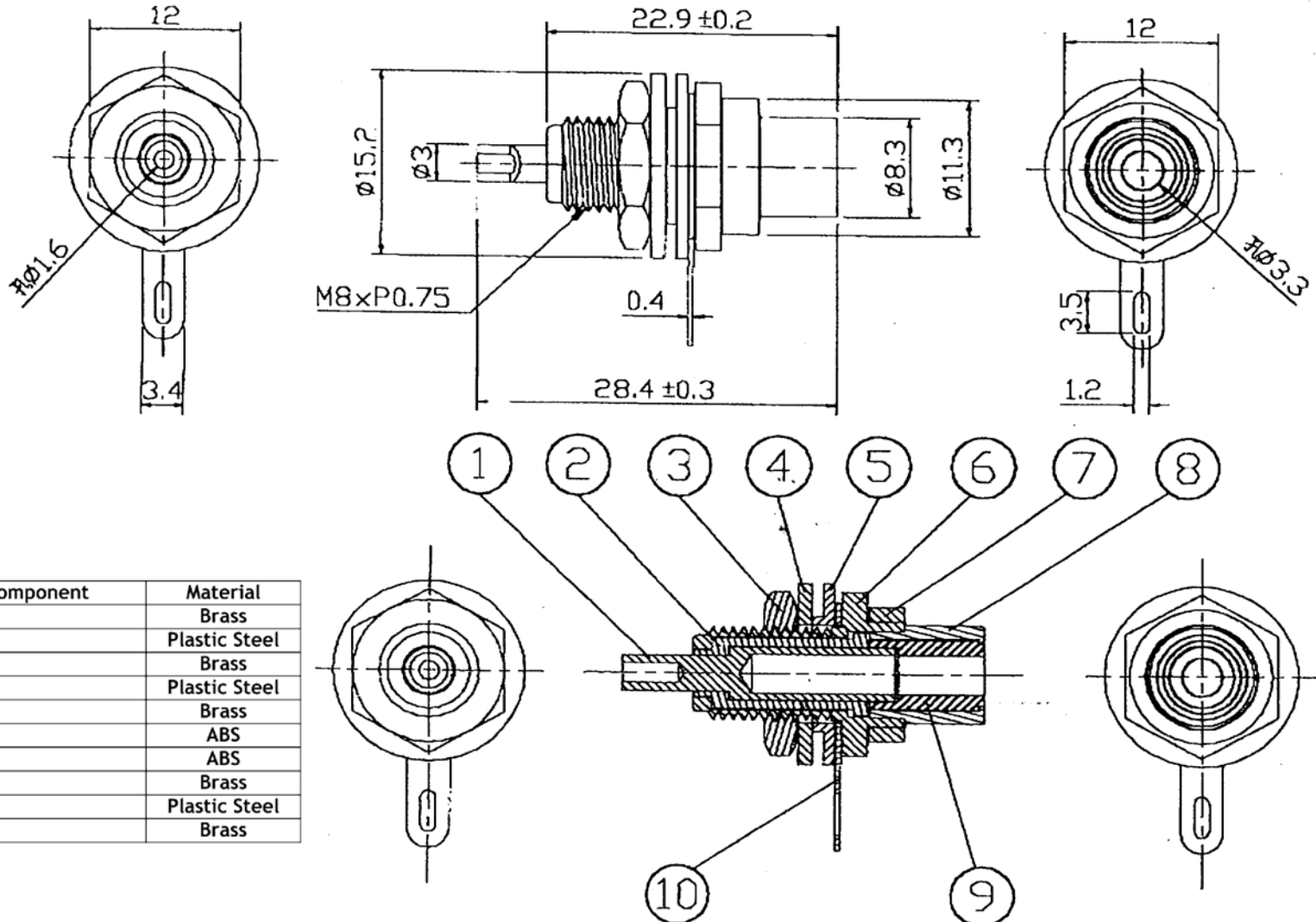


# Product Drawing



Legend	Component	Material
10		Brass
9		Plastic Steel
8		Brass
7		Plastic Steel
6		Brass
5		ABS
4		ABS
3		Brass
2		Plastic Steel
1		Brass

Page: 1		Date: 2007-07-27		Description: Standard outline drawing.	
of: 1		Revision: 1.0		P/N CR208	