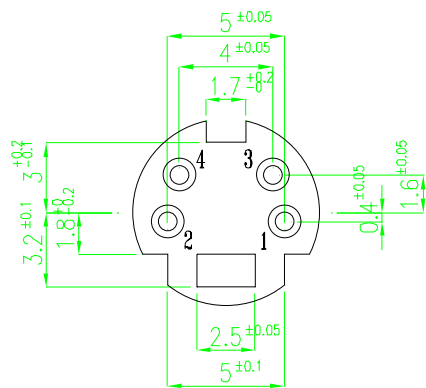
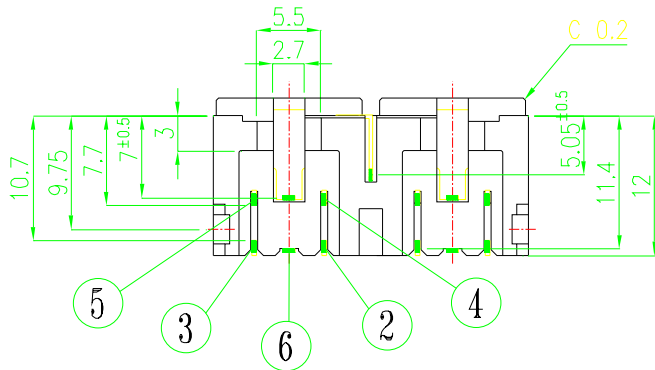
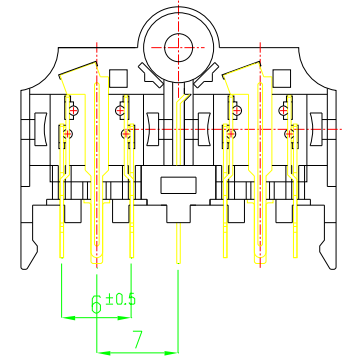
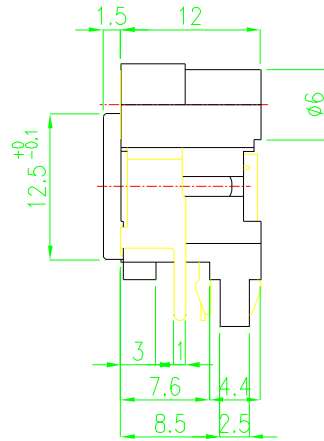
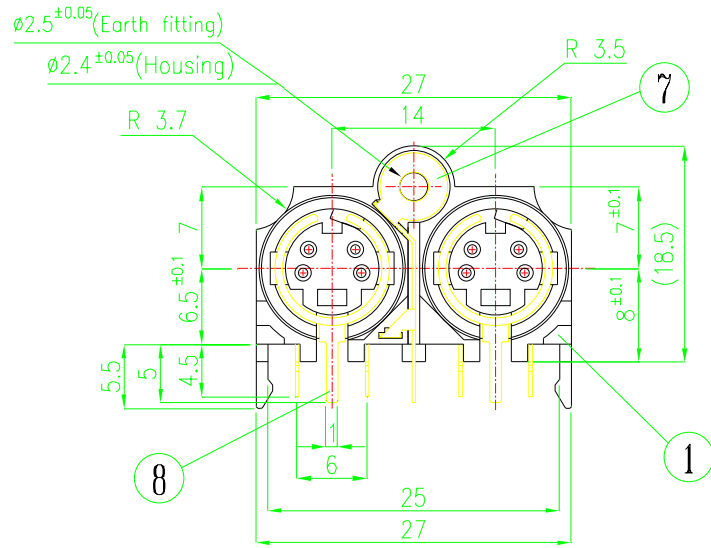


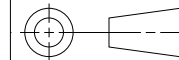
ALLOWANCE	MARK	DATE	DESCRIPTION OF REVISION	APPROVED
UNDER 3	± 0.1	△	. .	
3 TO 6	± 0.2	△	. .	
6 TO 18	± 0.3	△	. .	
18 TO 50	± 0.4	△	. .	
50 OVER	± 0.5	△	. .	



8	CAP GROUND	C2680 1/2H	0.35t	2	1P413	SnPb - PLATING
7	SHIELD PLATE	C2680 H	0.3t	1	2P412	SnPb - PLATING
6	SWITCH TERMINAL	C5210 H	0.2t	2	2P411	- PLATING
5	TER'-L	C5210 H	0.2t	2	2P410L	SnPb - PLATING
4	TER'-R	C5210 H	0.2t	2	2P410R	SnPb - PLATING
3	TER'-L	C5210 H	0.2t	2	2P409L	SnPb - PLATING
2	TER'-R	C5210 H	0.2t	2	2P409R	SnPb - PLATING
1	BASE	NORYL	94V0	1	2M867	BLACK

NO	PART NAME	MATERIAL	QUANTITY	PART NO	REMARKS
----	-----------	----------	----------	---------	---------

Vimex International Corp.  
800-227-0075



SCALE 1/1 DIMENSION m/m

REVISION	DRAWING	CHECKED	APPROVED	NAME TITLE	S-VHS JACK (2P) C50260282N
1.1	L.M.S			DRAWING NUMBER	

2001.08.10 2002.06.26 2002.06.26