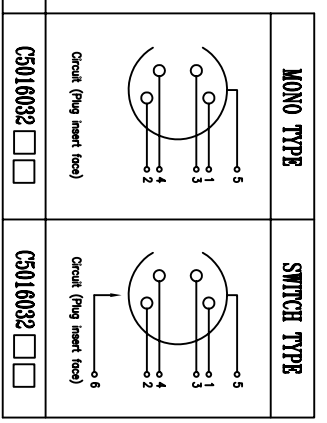
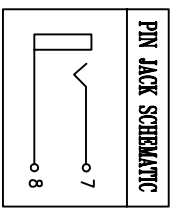
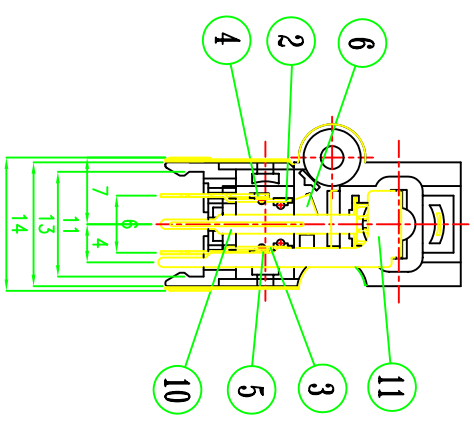
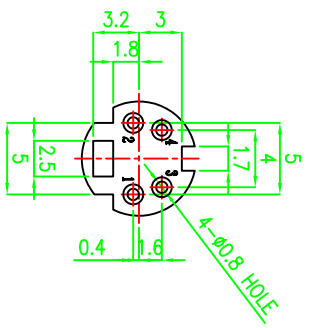
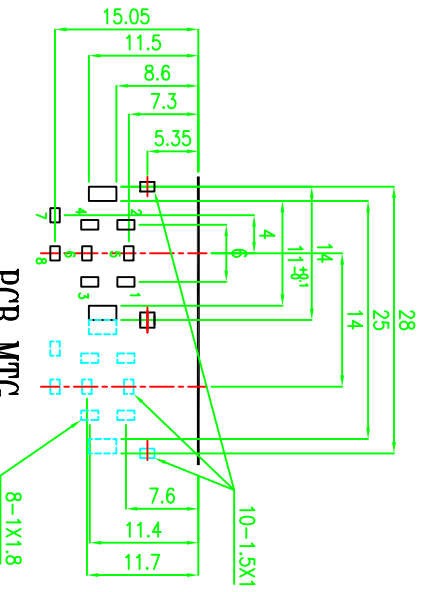
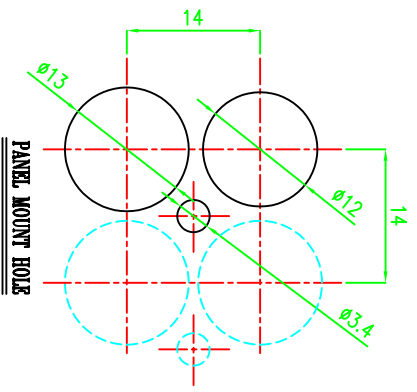
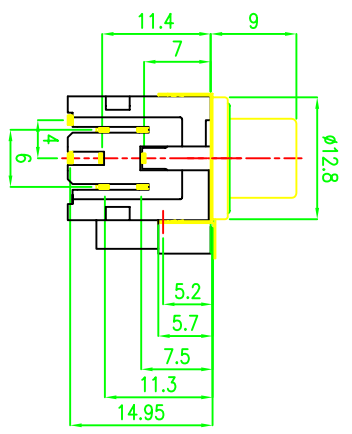
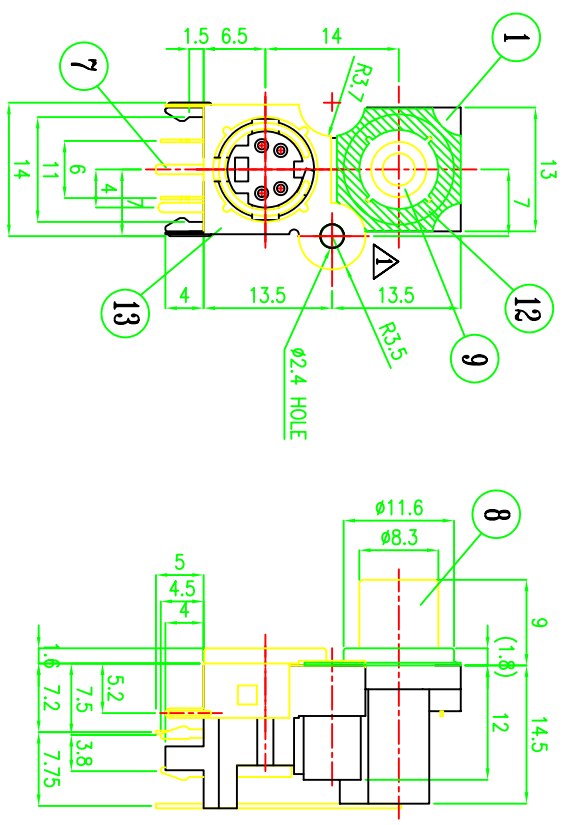


| ALLOWANCE | MARK | DATE | DESCRIPTION OF REVISION | APPROVED |
|---------------|------|---------|-------------------------|----------|
| UNDER 3 ±0.1 | △ | 02.4.24 | #4221.#430 1차 설계 변경 | |
| 3 TO 6 ±0.2 | ▽ | | | |
| 6 TO 18 ±0.3 | ◇ | | | |
| 18 TO 50 ±0.4 | ◇ | | | |
| 50 OVER ±0.5 | ◇ | | | |



| | | | | | | | |
|----|---------------|------------|-------|---|--------|---|---------|
| 13 | GND PLATE(IP) | C2600 1/2H | 0.2t | 1 | 1P430 | - | PLATING |
| 12 | GND PLATE | C2600 1-0 | 0.3t | 1 | 2P4221 | - | PLATING |
| 11 | PN-L | C2600 H | 0.5t | 1 | 2P041 | - | PLATING |
| 10 | TERMINAL | C2600 1/2H | 0.3t | 1 | 2P365 | - | PLATING |
| 9 | WASHER | ABS | 94HB | 1 | 2M616 | - | |
| 8 | CAP | C2600 1-0 | 0.3t | 1 | 1P065 | - | PLATING |
| 7 | CAP GROUND | C2600 1/2H | 0.35t | 1 | 1P413 | - | PLATING |
| 6 | SWITCH TER | G5210 H | 0.2t | 1 | 2P411 | - | PLATING |
| 5 | TER-L | G5210 H | 0.2t | 1 | 2P410L | - | PLATING |
| 4 | TER-R | G5210 H | 0.2t | 1 | 2P410R | - | PLATING |
| 3 | TER-L | G5210 H | 0.2t | 1 | 2P409L | - | PLATING |
| 2 | TER-R | G5210 H | 0.2t | 1 | 2P409R | - | PLATING |
| 1 | BASE | NORYL | | 1 | 2M795 | | BLACK |

| NO | PART NAME | MATERIAL | QUANTITY | PART NO | REMARKS |
|----|-----------|------------------|----------|---------|---------|
| 1 | PCB MTG | (SOLDER SURFACE) | | | |

| REVISION | DRAWING | CHECKED | APPROVED | NAME TITLE | SCALE | DIMENSION |
|----------|---------|---------|----------|-------------------------------|-------|-----------|
| 1.1 | | | | S-VHS JACK(IP) + PIN JACK(IP) | 1/1 | mm/m |

| REVISION | DRAWING | CHECKED | APPROVED | DRAWING NUMBER |
|----------|------------|------------|------------|----------------|
| 1.1 | 2001.08.10 | 2001.08.10 | 2001.08.10 | C5016032 |