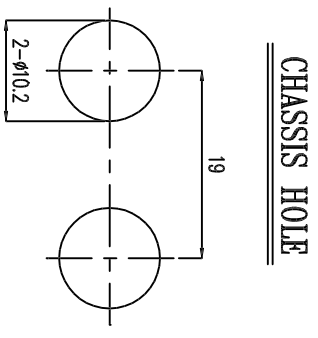
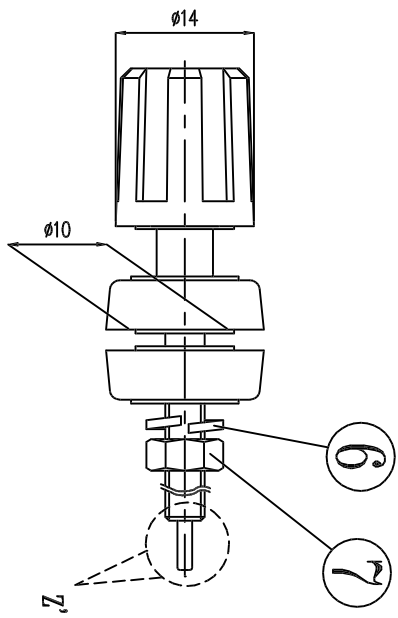
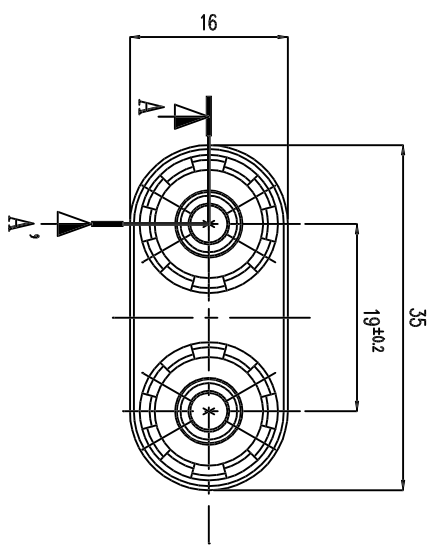
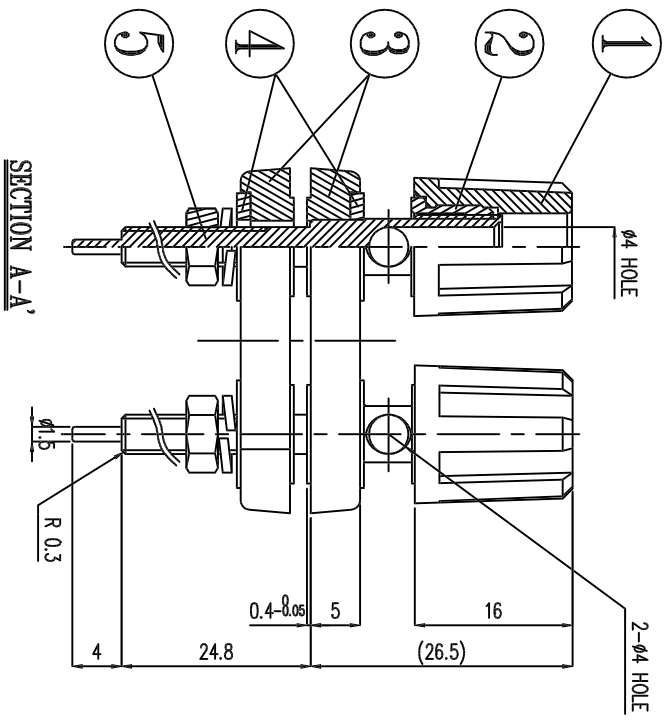


ALLOWANCE	MARK	DATE	DESCRIPTION OF REVISION	APPROVED
UNDER 3 ± 0.1	▽	..		
3 TO 6 ± 0.2	▽	..		
6 TO 18 ± 0.3	▽	..		
18 TO 50 ± 0.4	▽	..		
50 OVER ± 0.5	▽	..		



	B2029202	B2029302
	(1P0064)	(1P0065)



NO	PART NAME	MATERIAL	QUANTITY	PART NO	REMARKS
7	1.0				
7	NUT	SPCC	2	1NU819	NI-PLATING
6	LOCK WASHER	SPCC	2	1LW834	NI-PLATING
5	POST	C3604 BD	2	1P0854	NI-PLATING
4	PLANE WASHER	C2660 H 1.2t	4	2P298	NI-PLATING
3	BASE	NYLON	2	2M768	BLACK
2	BUSHING	C3604 BD	2	1BU872	NI-PLATING
1	KNOB	NYLON	2	2M627	A: B B: R

REVISION	DRAWING	CHECKED	APPROVED	NAME	DRAWING
1.0	1996.1.30	1996.1.30	1996.1.30	BINDING POST(2P)	B20292020N



SCALE	2/1	DIMENSION	mm/mm
-------	-----	-----------	-------