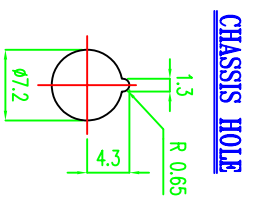
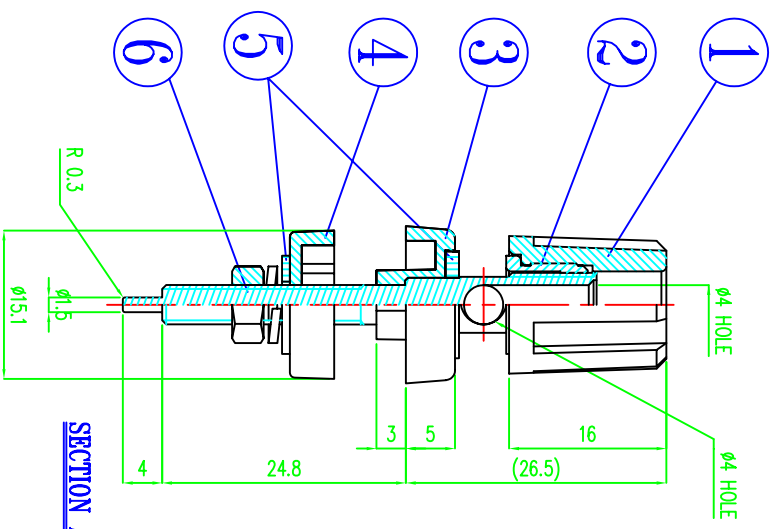
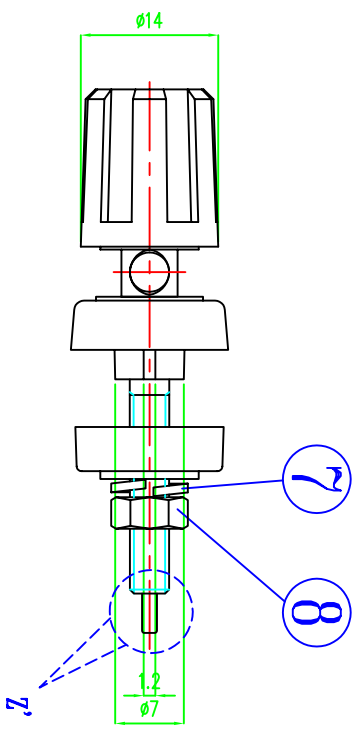
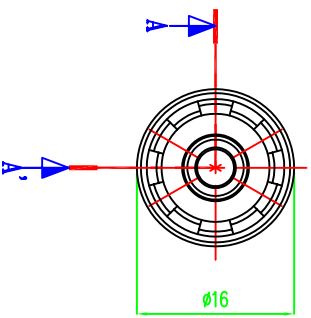


ALLOWANCE	MARK	DATE	DESCRIPTION OF REVISION	APPROVED
UNDER 3 ±0.1	▽	..		
3 TO 6 ±0.2	▽	..		
6 TO 18 ±0.3	▽	..		
18 TO 50 ±0.4	▽	..		
50 OVER ±0.5	▽	..		



REVISION	DRAWING	CHECKED	APPROVED	NAME	TITLE	DRAWING NUMBER
1.0					BINDING POST	B2019203

NO	PART NAME	MATERIAL	QUANTITY	PART NO	REMARKS
8	NUT	SPCC	1	1N0819	ZN-PLATING
7	LOCK WASHER	SPCC	1	1LW834	ZN-PLATING
6	POST	C3604 BD	1	1P085	-PLATING
5	PLANE WASHER	C2680 H 1.2T	2	2P298	-PLATING
4	COVER	ABS 94HB	1	2M660	
3	BASE	ABS 94HB	1	2M769	
2	BUSHING	C3604 BD	1	1BU872	-PLATING
1	KNOB	ABS 94HB	1	2M627	

Vimex International Corp.
800-227-0075

REVISION	DRAWING	CHECKED	APPROVED
1.0			

SCALE	DIMENSION
2/1	mm/mm