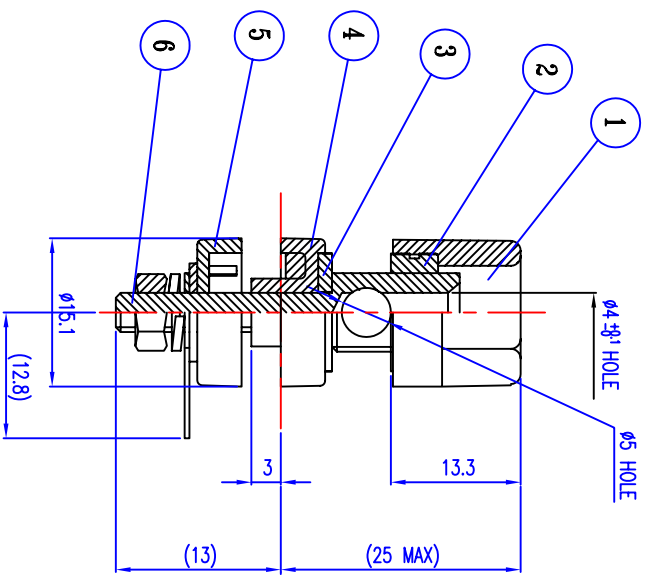
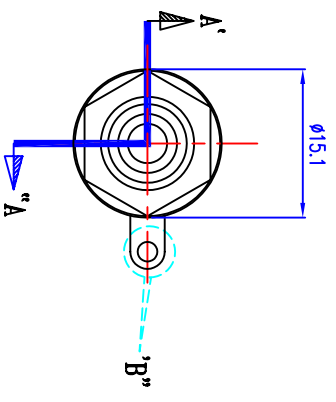
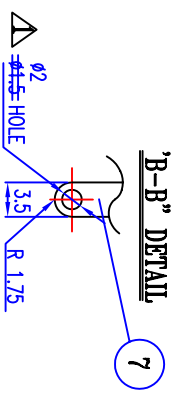
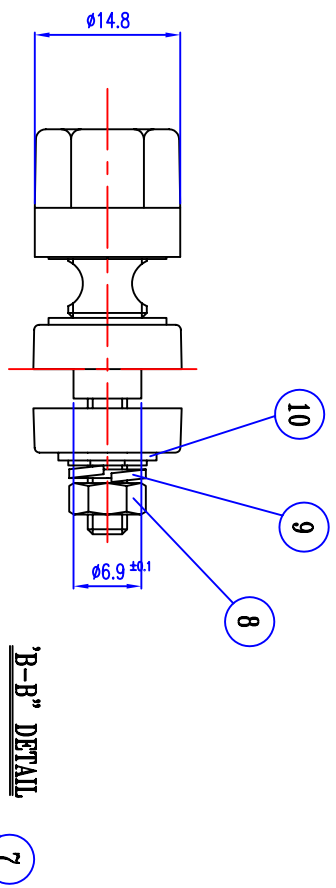


ALLOWANCE	MARK	DATE	DESCRIPTION OF REVISION	APPROVED
UNDER 6 ± 0.05	△	90.7.26	φ1.5 ⇒ φ2 m/m CHANGE	
6 TO 18 ± 0.1	▽	..		
18 TO 32 ± 0.15	▽	..		
32 TO 50 ± 0.2	▽	..		
50 OVER ± 0.25	▽	..		



'A-A' SECTION



10	WASHER	SPCC	0.8t	1	1W837	ZN-PLATING
9	LOCK WASHER	SPCC		1	1LW834	ZN-PLATING
8	NUT	SPCC		1	1NU819	ZN-PLATING
7	TERMINAL	C2680	0.5t	1	2P179	NI-PLATING
6	POST	C3604		1	1P0835	NI-PLATING
5	COVER - F	ABS 94HB		1	2M660	BLACK
4	COVER - U	ABS 94HB		1	2M659	BLACK
3	PLAIN WASHER	C3604		1	1PW836	NI-PLATING
2	BUSHING	C3604		1	1BU841	NI-PLATING
1	KNOB	ABS 94HB		1	2M654	BLACK

NO		PART NAME	MATERIAL	QUANTITY	PART NO	REMARKS
Vimex International Corp. 800-227-0075						
DRAWING	CHECKED	JUDGING	APPROVED	NAME TITLE	SCALE	DIMENSION
1992.9.15	1992.9.15			BINDING POST	2/1	m/m
				DRAWING NUMBER	B2019003BN	