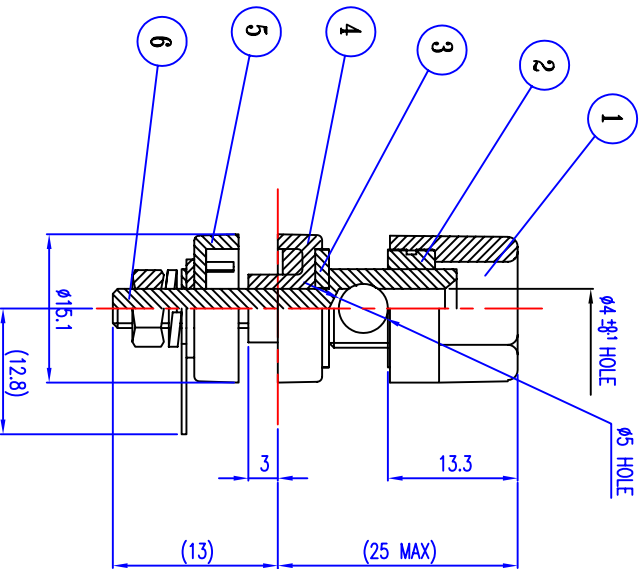
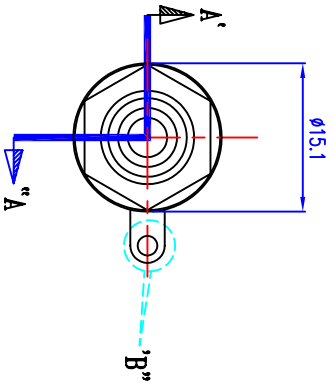
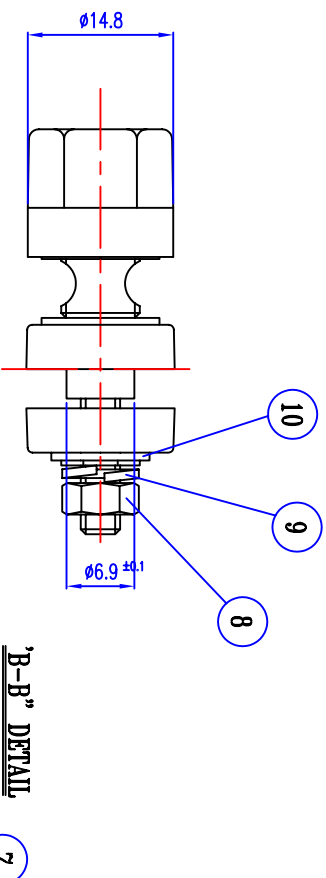


ALLOWANCE	MARK	DATE	DESCRIPTION OF REVISION	APPROVED
UNDER 6 ± 0.05	△	90.7.26	φ1.5 ⇒ φ2 m/m CHANGE	
6 TO 18 ± 0.1	▽	..		
18 TO 32 ± 0.15	▽	..		
32 TO 50 ± 0.2	▽	..		
50 OVER ± 0.25	▽	..		



A-A SECTION

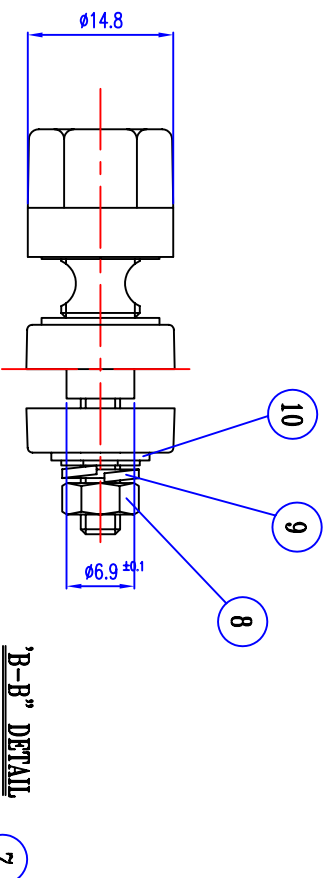
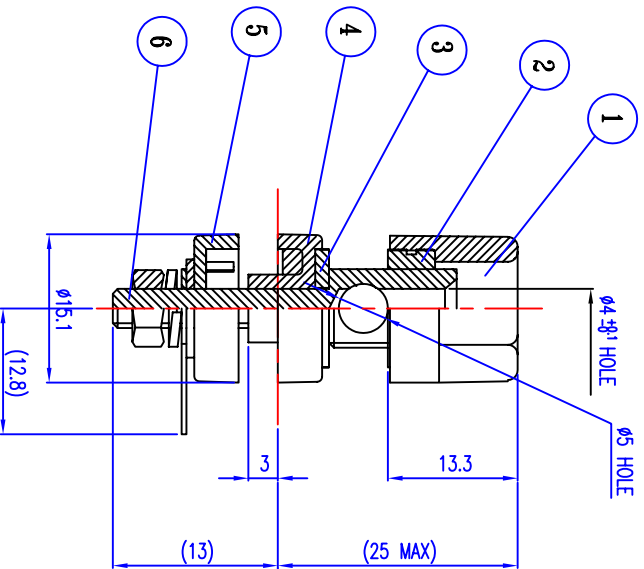
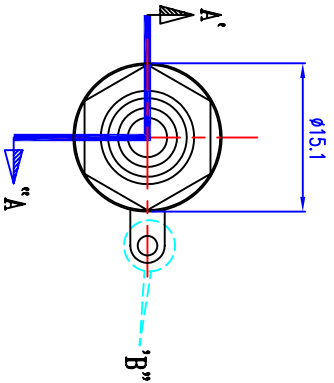


B-B DETAIL

NO	PART NAME	MATERIAL	QUANTITY	PART NO	REMARKS
10	WASHER	SPCC 0.8t	1	1W837	ZN-PLATING
9	LOCK WASHER	SPCC	1	1LW834	ZN-PLATING
8	NUT	SPCC	1	1NU819	ZN-PLATING
7	TERMINAL	C2680 0.5t	1	2P179	NI-PLATING
6	POST	C3604	1	1P0835	NI-PLATING
5	COVER - F	ABS 94HB	1	2M660	BLACK
4	COVER - U	ABS 94HB	1	2M659	BLACK
3	PLAIN WASHER	C3604	1	1PW836	NI-PLATING
2	BUSHING	C3604	1	1BU841	NI-PLATING
1	KNOB	ABS 94HB	1	2M654	BLACK

Vimex International Corp.		SCALE 2/1		DIMENSION m/m	
800-227-0075					
DRAWING	CHECKED	JUDGING	APPROVED	NAME	BINDING POST
				TITLE	
1992.9.15	1992.9.15			DRAWING	B2019003BN
				NUMBER	

ALLOWANCE	MARK	DATE	DESCRIPTION OF REVISION	APPROVED
UNDER 6 ± 0.05	△	90.7.26	φ1.5 ⇒ φ2 m/m CHANGE	
6 TO 18 ± 0.1	▽	..		
18 TO 32 ± 0.15	▽	..		
32 TO 50 ± 0.2	▽	..		
50 OVER ± 0.25	▽	..		



NO	PART NAME	MATERIAL	QUANTITY	PART NO	REMARKS
10	WASHER	SPCC 0.8t	1	1W837	ZN-PLATING
9	LOCK WASHER	SPCC	1	1LW834	ZN-PLATING
8	NUT	SPCC	1	1NU819	ZN-PLATING
7	TERMINAL	C2680 0.5t	1	2P179	NI-PLATING
6	POST	C3604	1	1P0835	NI-PLATING
5	COVER - F	ABS 94HB	1	2M660	RED
4	COVER - U	ABS 94HB	1	2M659	RED
3	PLAIN WASHER	C3604	1	1PW836	NI-PLATING
2	BUSHING	C3604	1	1BU841	NI-PLATING
1	KNOB	ABS 94HB	1	2M654	RED

Vimex International Corp.		SCALE 2/1		DIMENSION m/m	
800-227-0075					
DRAWING	CHECKED	JUDGING	APPROVED	NAME	BINDING POST
				TITLE	
1992.9.15	1992.9.15			DRAWING	B2019003RN
				NUMBER	

'A-A' SECTION

'B-B' DETAIL