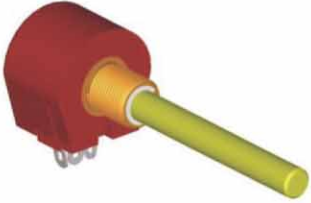


**Wire Wound Potentiometer**

**WW118**



Part Number

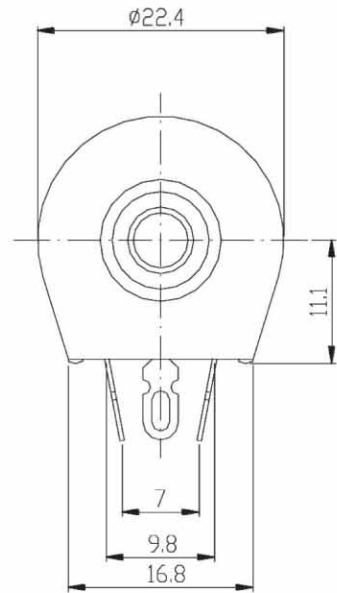
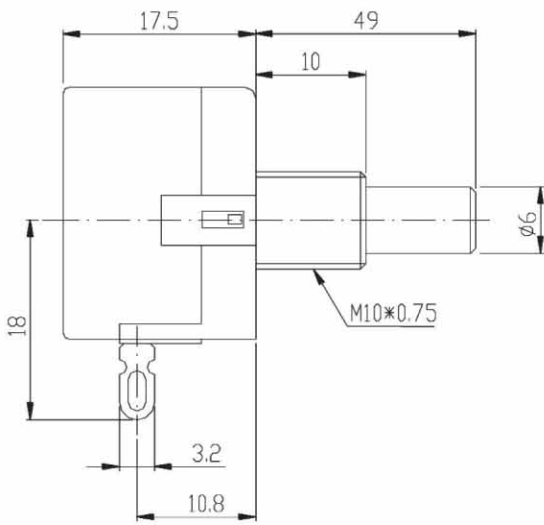
**WW118 - 10K, L - 49 R**

Resistance value

Shaft Length

Shaft Type

Dimensions



## Wire Wound Potentiometer

### Electrical Characteristics

Total resistance	100~22 K $\Omega$
Resistance tolerance	$\pm 10\%$
Independent Linearity	$\pm 0.5\%$
Rotation noise	$\leq 3\%R$ or 3 $\Omega$
Terminal resistance	$\leq 0.2\%R$ or 2 $\Omega$
Withstand voltage	1000 AC
Effective Electrical travel	270°

### Environmental characteristics

Rated power	1W:40°, 0W:125°
Temperature Range	-55° ~ +125°
Temperature Coefficient	$\pm 100\text{ppm}/^\circ\text{C}$ maximum/unit
Temperature Variation	$\pm 2\% R$
Collision	390m/S <sup>2</sup> , 4000cycles $\pm 1\% R$
Vibration	10~500HZ, 0.75mm, 6h $\pm 1\% R$ <span style="float: right;"><math>\leq 100\mu\text{s}</math></span>
Climate Category	$\pm 3\% R$ , R1 $\geq 100M\Omega$
70°	1W, 1000h, $\pm 3\% R$
Mechanical Endurance	5,000 cycles $\pm 3\% R$
Life	5,000 cycles
Steady Damp -heat	$\pm 3\% R$ R1 $\geq 100M\Omega$

### Physical Characteristics

Total Mechanical Travel	300 $\pm 10^\circ$
Starting Torque	36-100m/m
Stoop Strength	$\geq 500$ m/m