

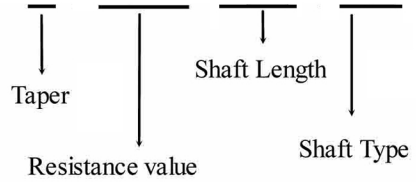
9 mm Metal Shaft Rotary Potentiometer

Part Number

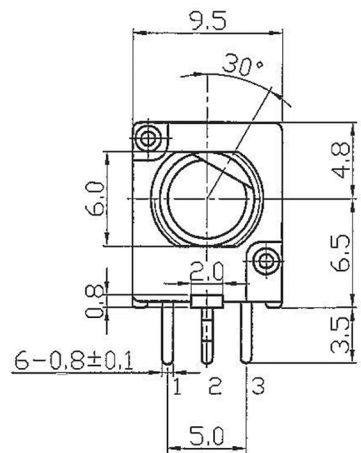
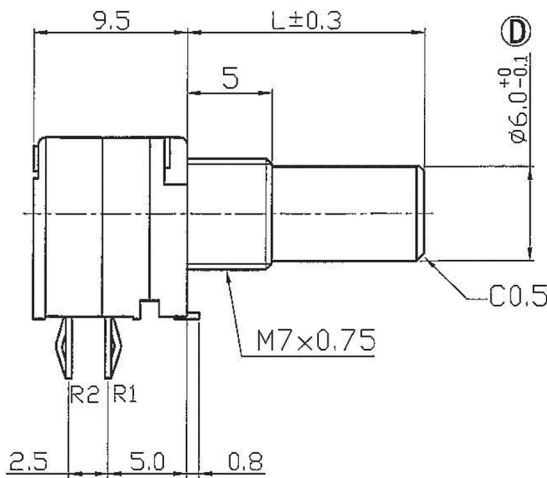
V9M-GHX2



V9M-GHX2 - B - 50K - L20 / KC

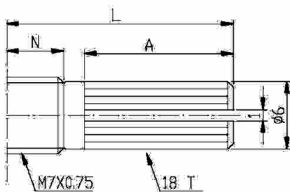


Dimensions



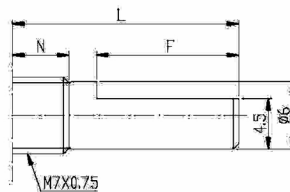
Shaft Type

KC Type



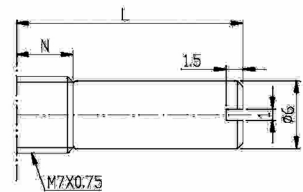
N=5mm			
L	10KC	12.5KC	15KC 20KC
A	4	7	7 12
N=7mm			
L	15KC	20KC	25KC
A	7	12	12

F Type



N=5mm		
L	15F	20F
F	7	12
N=7mm		
L	15F	20F 25F
F	7	12 12

RE Type



N=5mm		
L	8RE	10RE 15RE
N=7mm		
L	15RE	