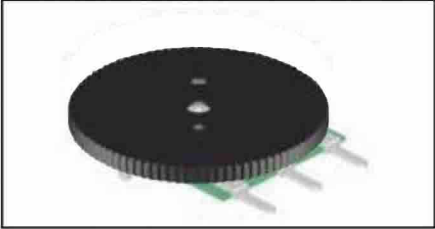


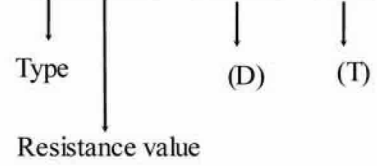
**10mm Ultra Thin Micro Rotary Potentiometers**

**UTM10SB**

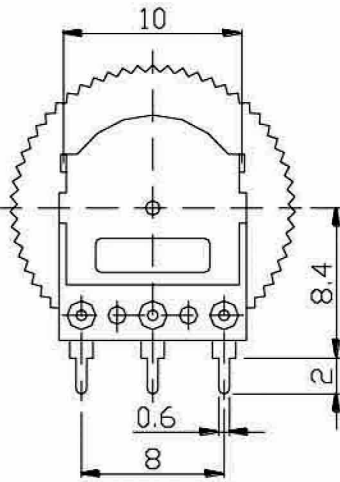


**Part Number**

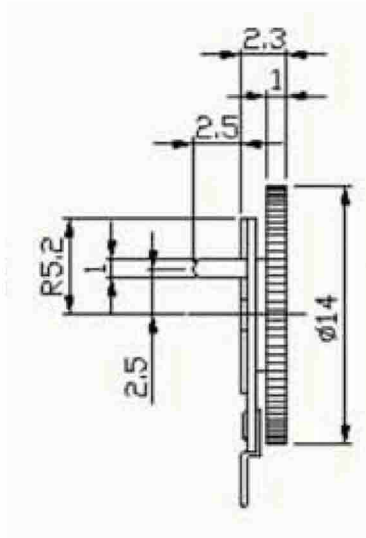
**UTM10SB - B 50K /  $\phi 16 \times 2.8$**



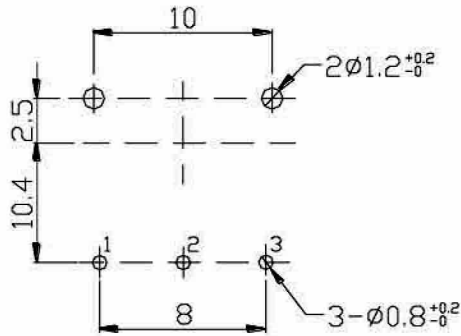
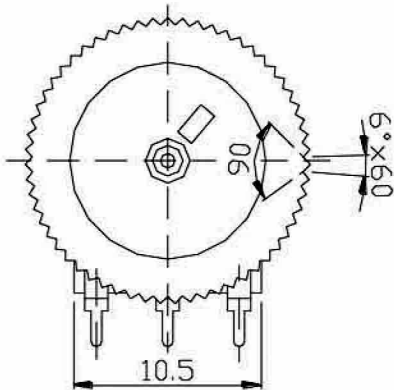
**Dimensions**



FULL C.C.W POSITION



PCB LAYOUT



CIRCUIT

