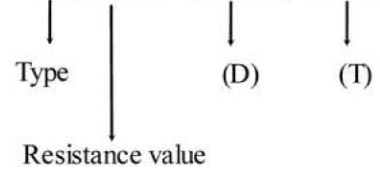


10mm Ultra Thin Micro Rotary Potentiometers

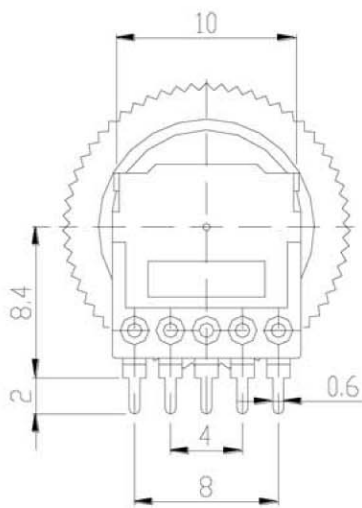


Part Number

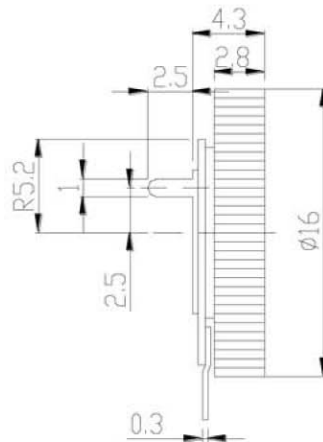
UTM10SAD - B 50K / φ16 × 2.8



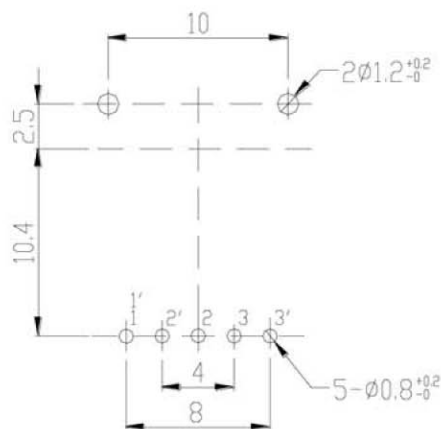
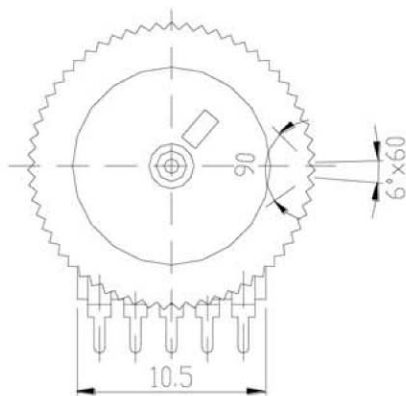
Dimensions



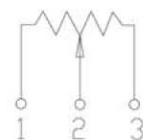
FULL C.C.W POSITION



PCB LAYOUT

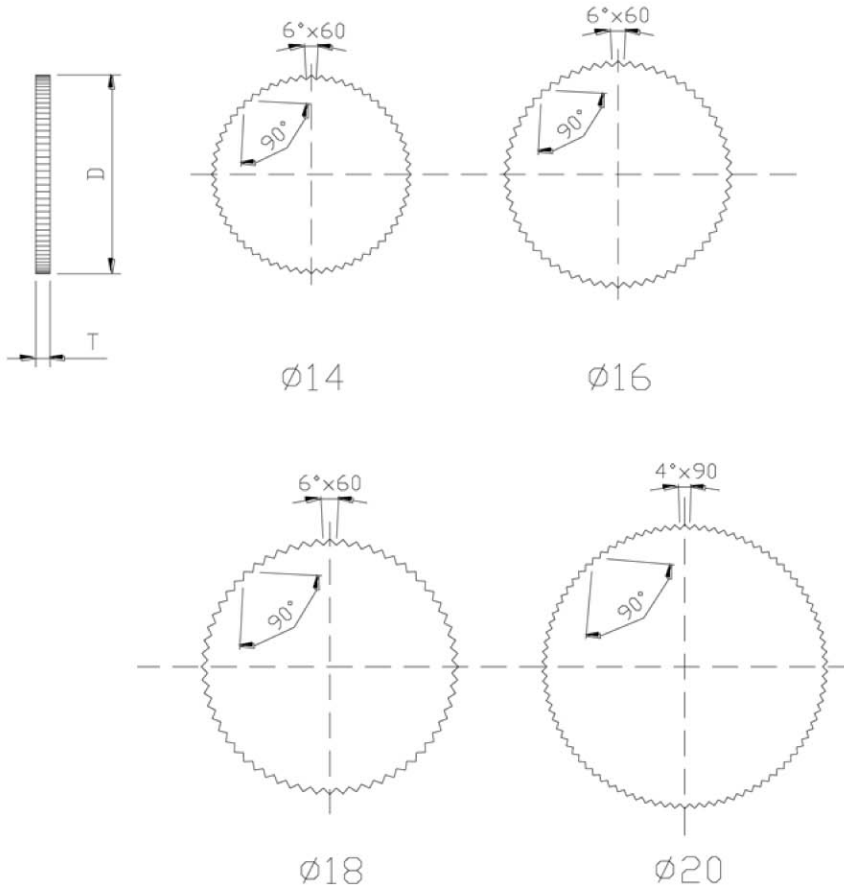


CIRCUIT



10mm Ultra Thin Micro Rotary Potentiometers

Shaft Type



(Unit:mm)

Outside Diameter (D)	14	14	16	16	16	18	18	18	20
Thickness (T)	1.0	2.0	1.0	2.0	2.8	1.0	2.0	2.8	2.0