

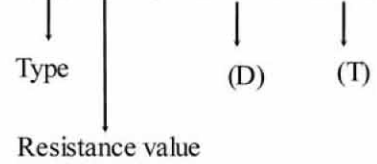
**10mm Ultra Thin Micro Rotary Potentiometers**

**UTM10SA**

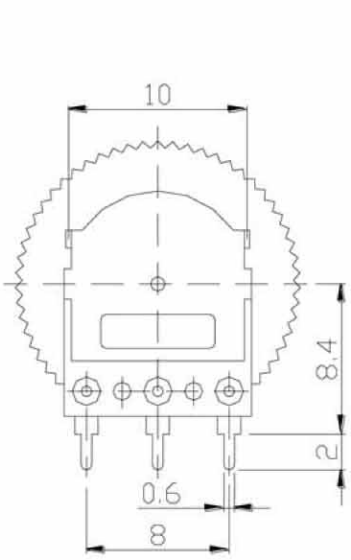


**Part Number**

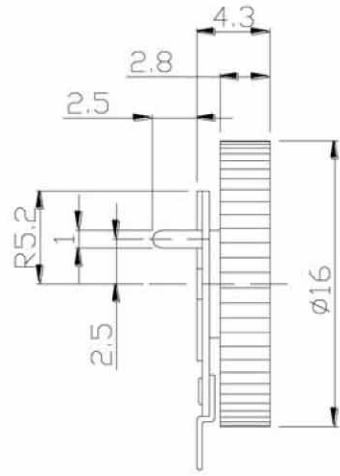
**UTM10SA - B 50K /  $\phi$ 16  $\times$  2.8**



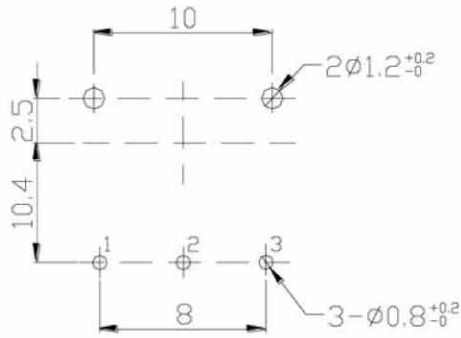
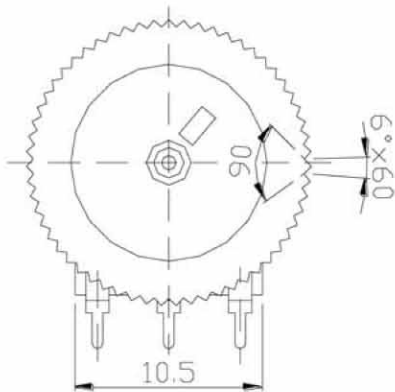
**Dimensions**



FULL C.C.W POSITION



PCB LAYOUT



CIRCUIT

